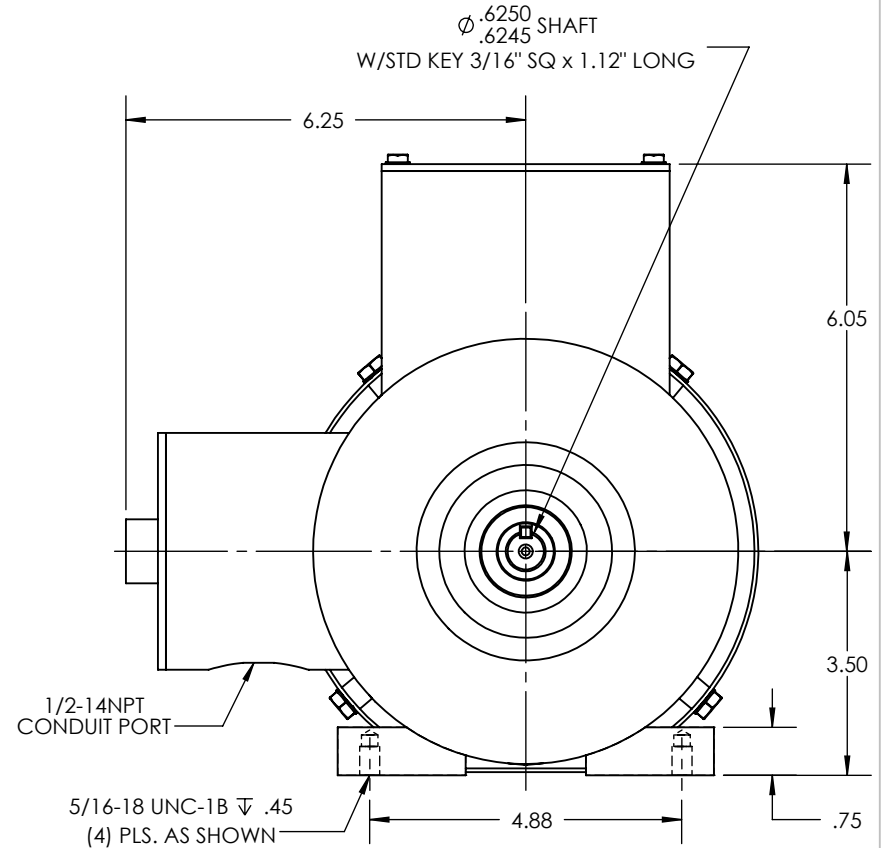
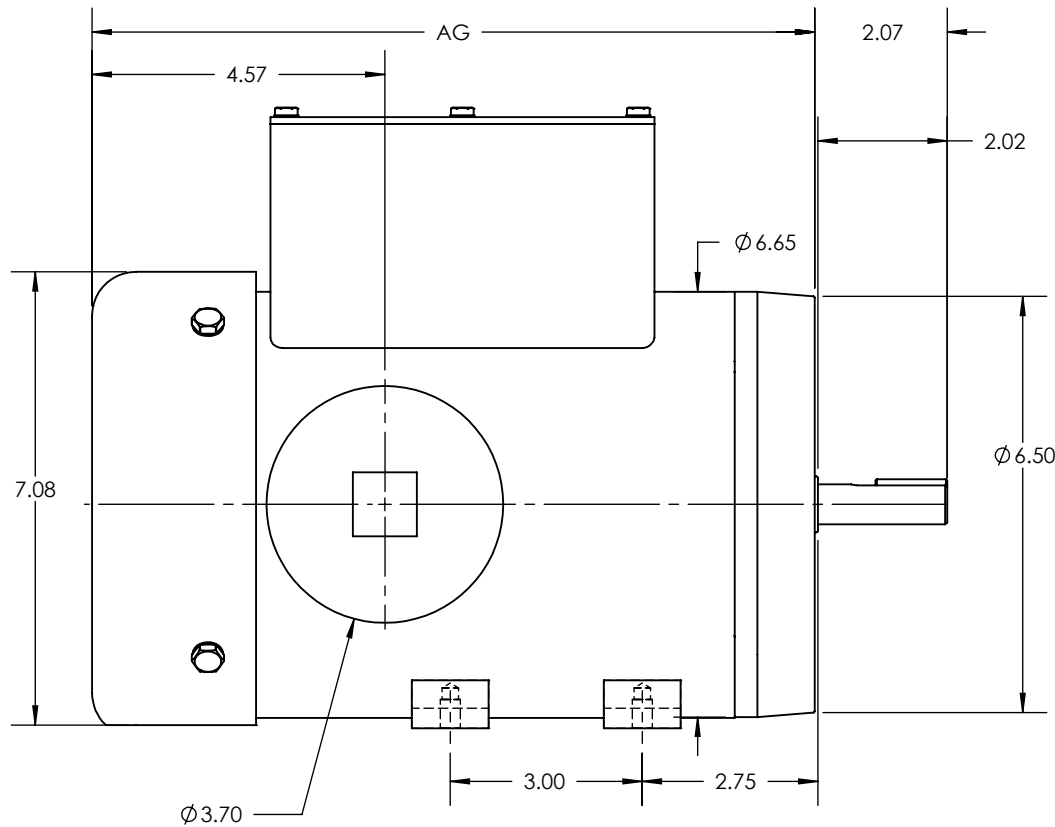


	AG Dim		
	2 POLE 3450 RPM	4 POLE 1750 RPM	6 POLE 1150 RPM
1/4 HP	TBD	TBD	TBD
1/2 HP	11.29	11.79	TBD
3/4 HP	TBD	11.79	---
1 HP	12.29	12.29	---
1 1/2 HP	12.79	---	---
2 HP	12.79	---	---

REVISIONS			
REV.	DESCRIPTION	BY	DATE



THIS DRAWING CONTAINS INFORMATION WHICH IS PROPRIETARY AND CONFIDENTIAL TO STAINLESS MOTORS, INC., AND IS TRANSMITTED IN CONFIDENCE. THE REPRODUCTION, USE OR DISCLOSURE, IN WHOLE OR IN PART, OF THE DESIGN CONTAINED HEREIN TO OTHERS IS PROHIBITED WITHOUT THE WRITTEN CONSENT OF STAINLESS MOTORS, INC.

© COPYRIGHT STAINLESS MOTORS, INC. ALL RIGHTS RESERVED. YEAR OF COPYRIGHT IS FIRST YEAR INDICATED ON THE DRAWING.

DO NOT SCALE DRAWING
UNLESS OTHERWISE SPECIFIED

DIMENSIONS ARE IN INCHES
DIMENSIONS AND SURFACE TEXTURE DESIGNATIONS APPLY PRIOR TO FINISH

ALL OUTSIDE RADII TO BE .025/0.035
ALL INSIDE RADII TO BE .032

MATERIAL: T304 EXTERIOR
17-4 H1150 SHAFT

FINISH:
#4 LINE

GENERAL TOLERANCES:

.X = +/- 0.015
.XX = +/- 0.010
.XXX = +/- 0.005

FRACTIONAL = +/- 1/64
ANGULAR = +/- 1/2°

**STAINLESS
MOTORS INC.**

DRAWN: BDJ
CHECK:
ENG: JO
DATE: 1/21/2015

56 FRAME
SINGLE PHASE
FOOT MOUNT TEFC
BLIND FOOT, SANIFAN

NOTES:

REFERENCE DRAWING:
DRAWING F:\Website\IMOTOR DRAWINGS\STD\56\5XXC01BXXB1-1P Sheet1
NUMBER: