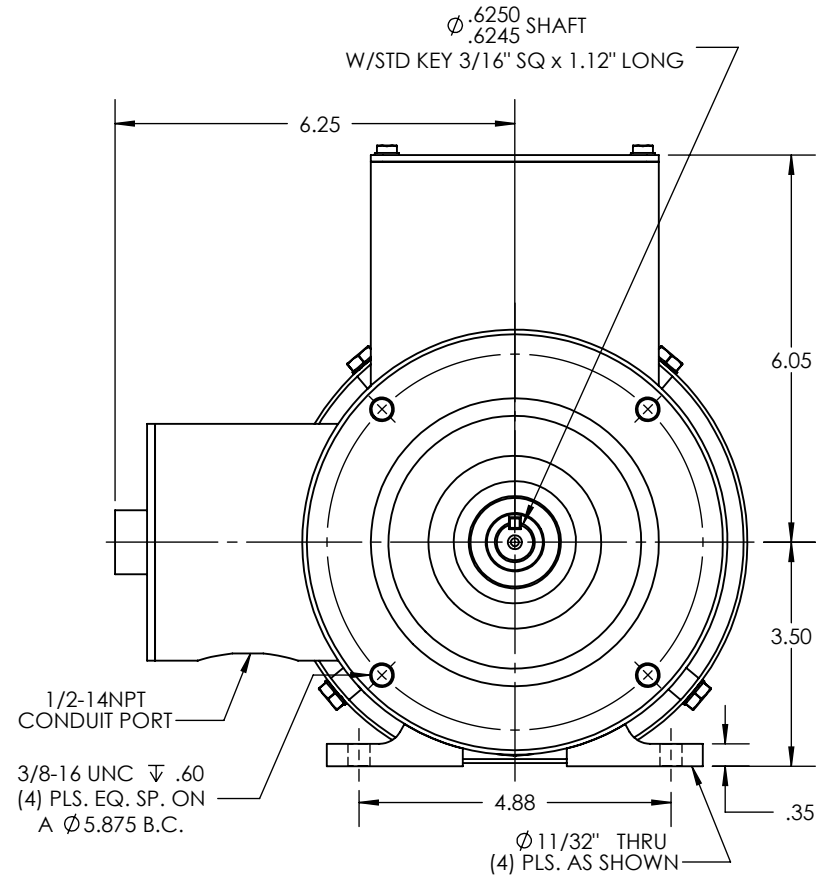
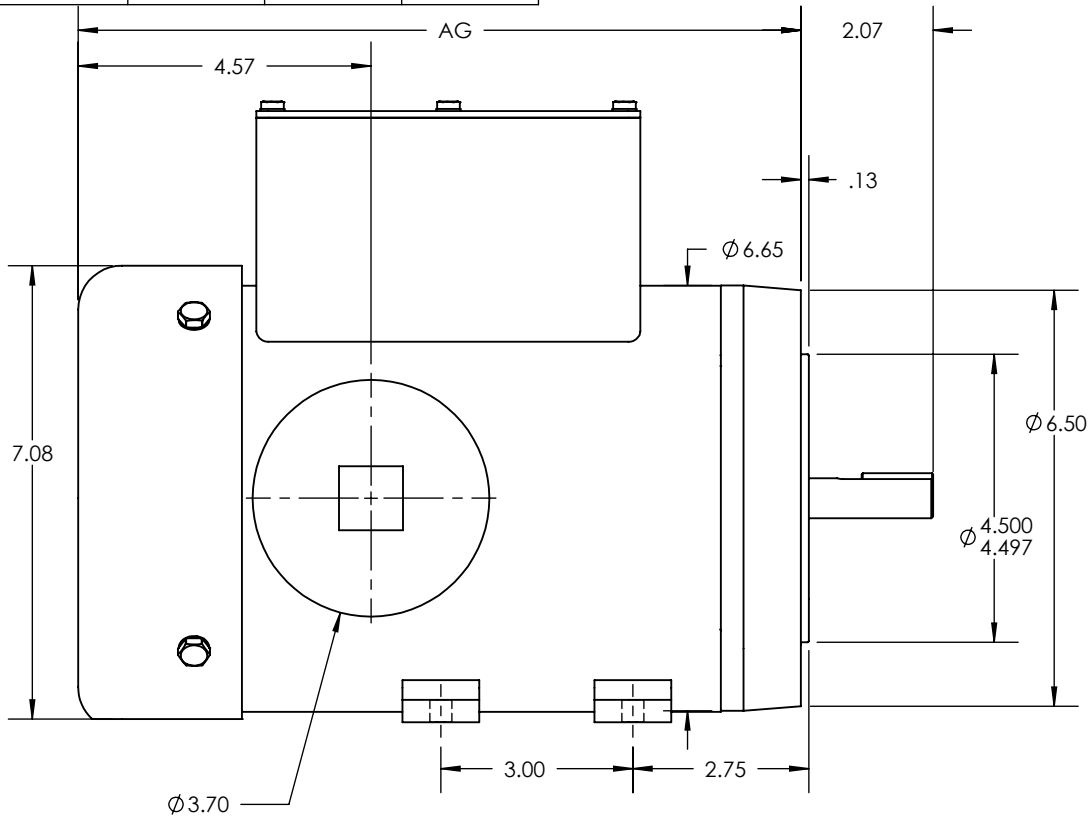


AG Dim			
	2 POLE 3450 RPM	4 POLE 1750 RPM	
1/4 HP	TBD	TBD	TBD
1/2 HP	11.29	11.79	TBD
3/4 HP	TBD	11.79	---
1 HP	12.29	12.29	---
1 1/2 HP	12.79	---	---
2 HP	12.79	---	---

REVISIONS			
REV.	DESCRIPTION	BY	DATE



THIS DRAWING CONTAINS INFORMATION WHICH IS PROPRIETARY AND CONFIDENTIAL TO STAINLESS MOTORS, INC., AND IS TRANSMITTED IN CONFIDENCE. THE REPRODUCTION, USE OR DISCLOSURE, IN WHOLE OR IN PART, OF THE DESIGN CONTAINED HEREIN TO OTHERS IS PROHIBITED WITHOUT THE WRITTEN CONSENT OF STAINLESS MOTORS, INC.

© COPYRIGHT STAINLESS MOTORS, INC. ALL RIGHTS RESERVED. YEAR OF COPYRIGHT IS FIRST YEAR INDICATED ON THE DRAWING.

DO NOT SCALE DRAWING	MATERIAL: T304 EXTERIOR 17-4 H1150 SHAFT
UNLESS OTHERWISE SPECIFIED	FINISH: #4 LINE
DIMENSIONS ARE IN INCHES	GENERAL TOLERANCES:
DIMENSIONS AND SURFACE TEXTURE DESIGNATIONS APPLY PRIOR TO FINISH	.X = +/-0.015
ALL OUTSIDE RADII TO BE .025/.035	.XX = +/-0.010
ALL INSIDE RADII TO BE .032	.XXX = +/-0.005
	FRACTIONAL = +/- 1/64
	ANGULAR = +/- 1/2°
REFERENCE DRAWING:	
DRAWING F:\Website\IMOTOR DRAWINGS\STD\56\5XXC021XXB1-1P Sheet1	
NUMBER:	

STAINLESS MOTORS INC.

DRAWN: BDJ
CHECK:
ENG: JO
DATE: 1/21/2015

56C FRAME
SINGLE PHASE
C-FACE MOUNT TEFC
THRU FOOT, SANIFAN

NOTES: