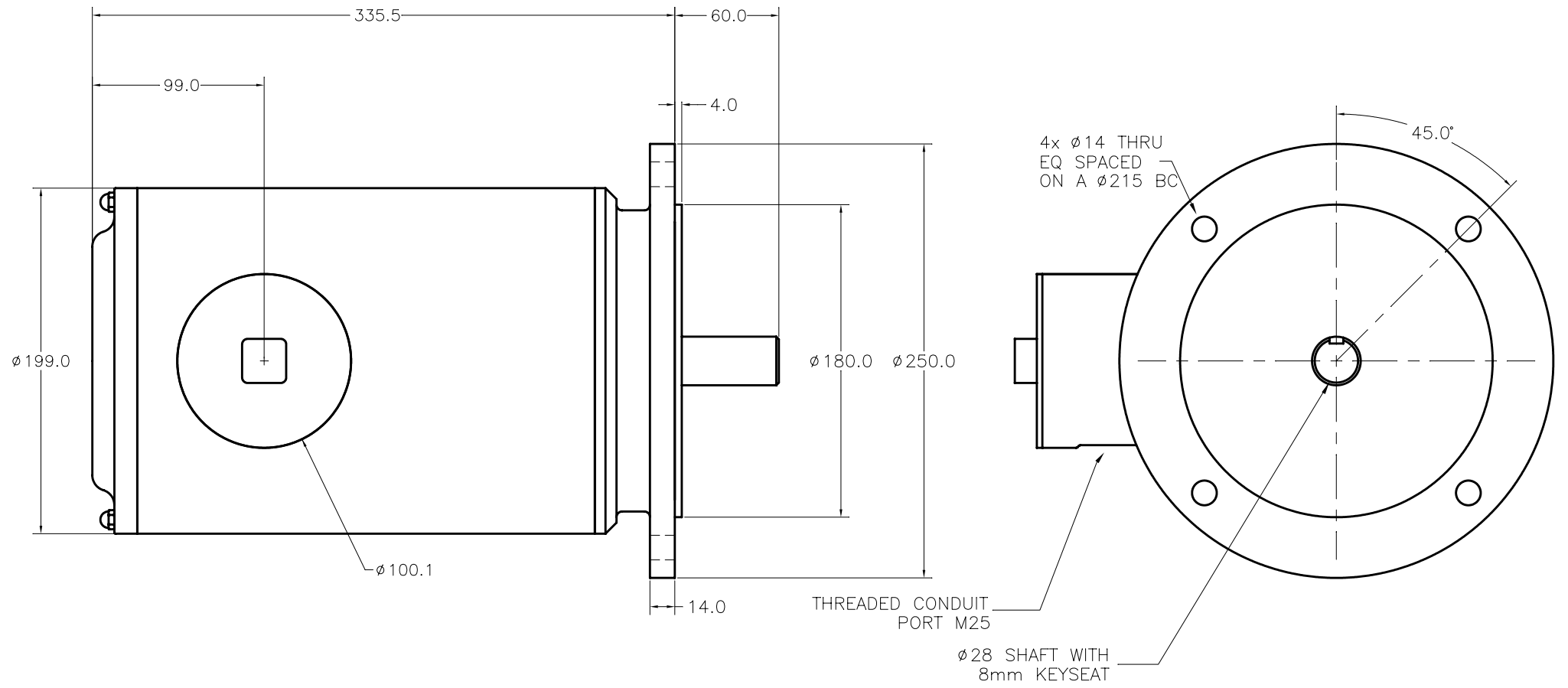


REVISIONS			
REV	DESCRIPTION	BY	DATE



NOTES:

DO NOT SCALE DRAWING	MATERIAL: T304 EXTERIOR 17-4 H1150 SHAFT	<b>STAINLESS MOTORS INC.</b>	
UNLESS OTHERWISE SPECIFIED	FINISH: #4 LINE		
DIMENSIONS ARE IN MM	GENERAL TOLERANCES:	DRAWN MFG	IEC 112-B5
DIMENSIONS AND SURFACE TEXTURE DESIGNATIONS APPLY PRIOR TO FINISH	.X = ±.015 .XX = ±.010 .XXX = ±.005	CHECK	0.75 kW, 8 POLE TENV
DEBURR AND BREAK ALL SHARP EDGES .005--.015	FRACTIONAL = ±1/64 ANGULAR = ±1/2°	ENG. JO	DATE 07/06/05
	REFERENCE DRAWING:		
	DRWG. NO. F:\DRAFTING\MOTORS\PHARM\IEC\112-B5-TENV		