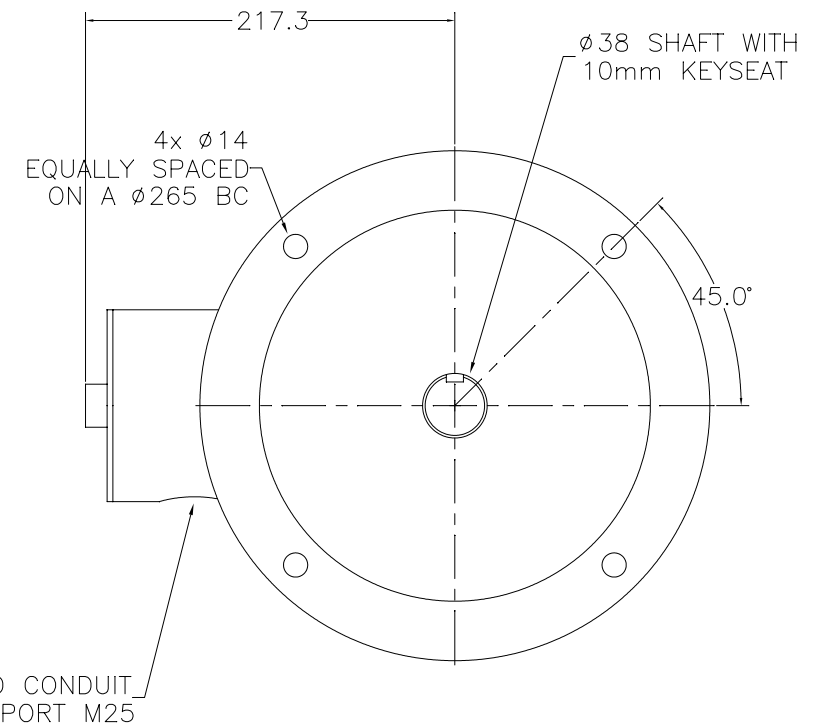
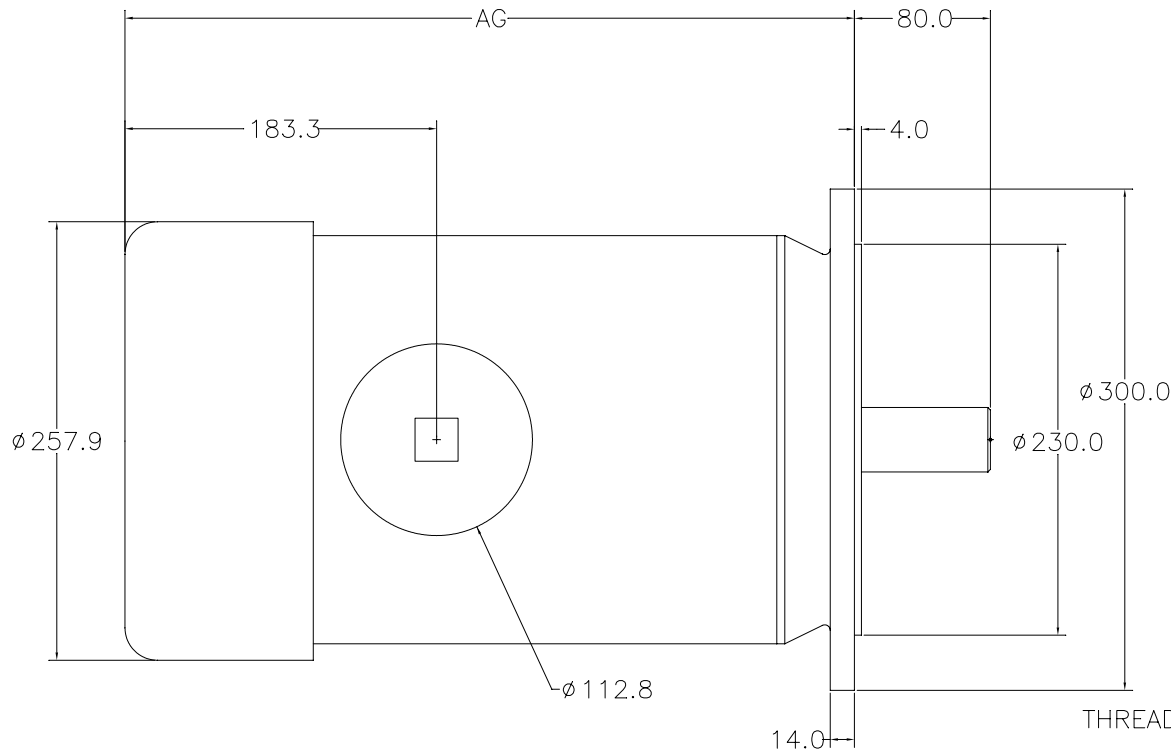


AG DIM.

	2 POLE	4 POLE	6 POLE	8 POLE
1.5 kW				429.1
2.2 kW			429.1	429.1
3.7 kW			448.2	
5.5 kW	429.1	429.1		
7.5 kW	448.2	448.2		

REVISIONS

REV	DESCRIPTION	BY	DATE



1. ALLOW 1" CLEARANCE BEYOND FAN SHROUD FOR AIR FLOW

NOTES:

DO NOT SCALE DRAWING		<b>STAINLESS MOTORS INC.</b>	
UNLESS OTHERWISE SPECIFIED: DIMENSIONS ARE IN METRIC DIMENSIONS AND SURFACE TEXTURE DESIGNATIONS APPLY PRIOR TO FINISH			
GENERAL TOLERANCES:		DRAWN MFG	132-B5 TEFC
.X = ±.015 FRACTIONAL = ±1/64		CHECK	
.XX = ±.010 ANGULAR = ±1/2°		ENG. JO	
.XXX = ±.005		DATE 03/28/05	DRWS. NO. MOTORS/IEC/132-B5-TEFC