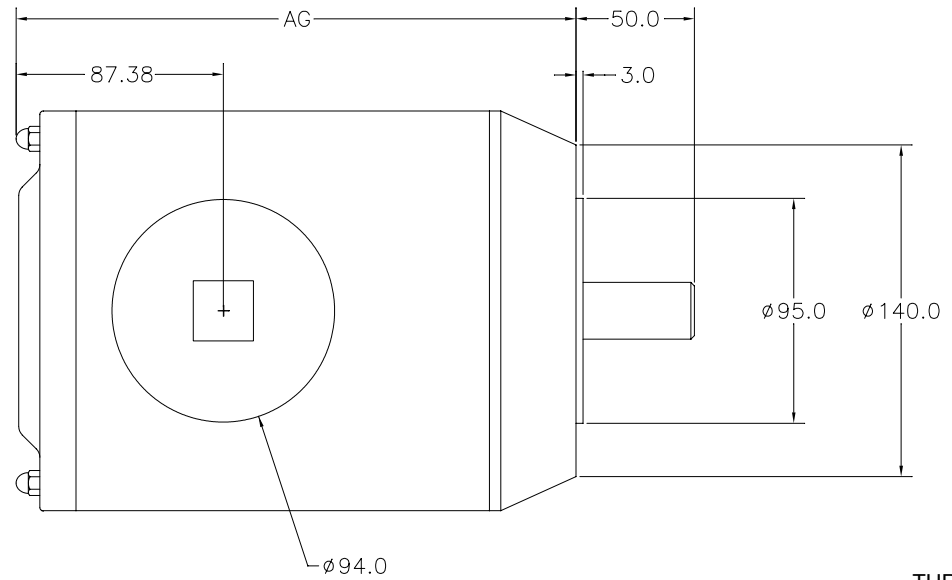


AG DIM.

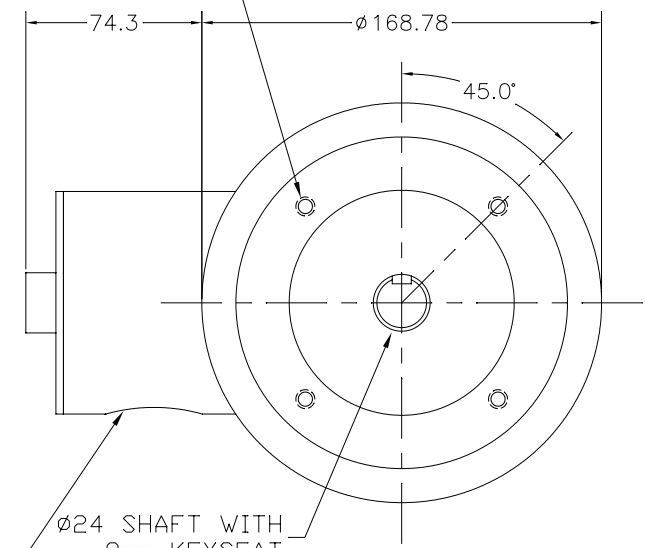
	2 POLE	4 POLE	6 POLE	8 POLE
0.37 kW	236.30	261.70	274.40	299.80
0.75 kW	274.40	274.40	299.80	

REVISIONS

REV	DESCRIPTION	BY	DATE



4x 8mm 14 DP
EQUALLY SPACED
ON A ø115 BC



THREADED CONDUIT
PORT M20

NOTES:

DO NOT SCALE DRAWING		STAINLESS MOTORS INC.
UNLESS OTHERWISE SPECIFIED: DIMENSIONS ARE IN MM DIMENSIONS AND SURFACE TEXTURE DESIGNATIONS APPLY PRIOR TO FINISH		
GENERAL TOLERANCES:		DRAWN MFG
.X = ±.015	FRACTIONAL = ±1/64	CHECK
.XX = ±.010	ANGULAR = ±1/2°	ENG. JO
.XXX = ±.005		DATE 03/25/05
		DRWG. NO. MOTORS/IEC/90-B14-TENV

90-B14
TENV