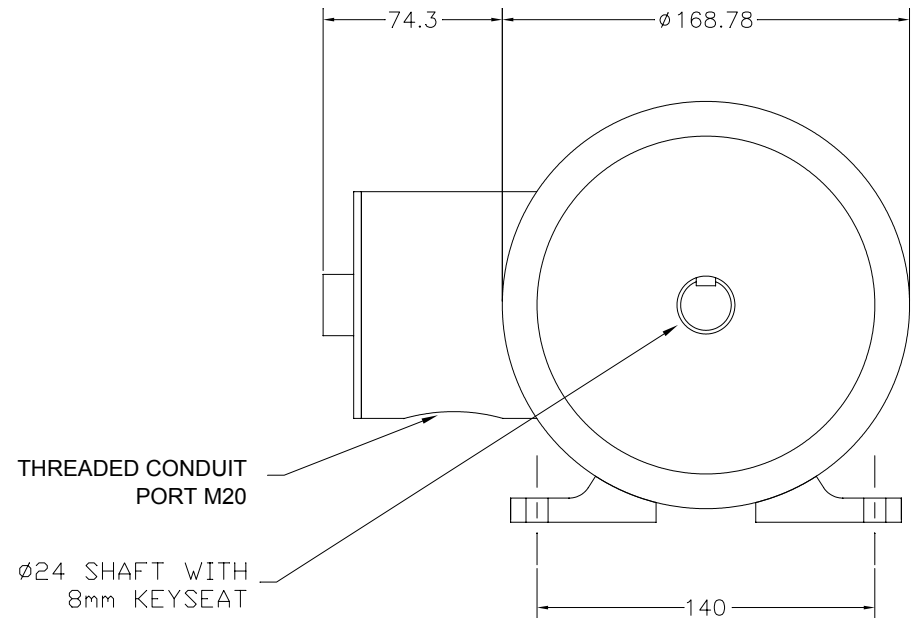
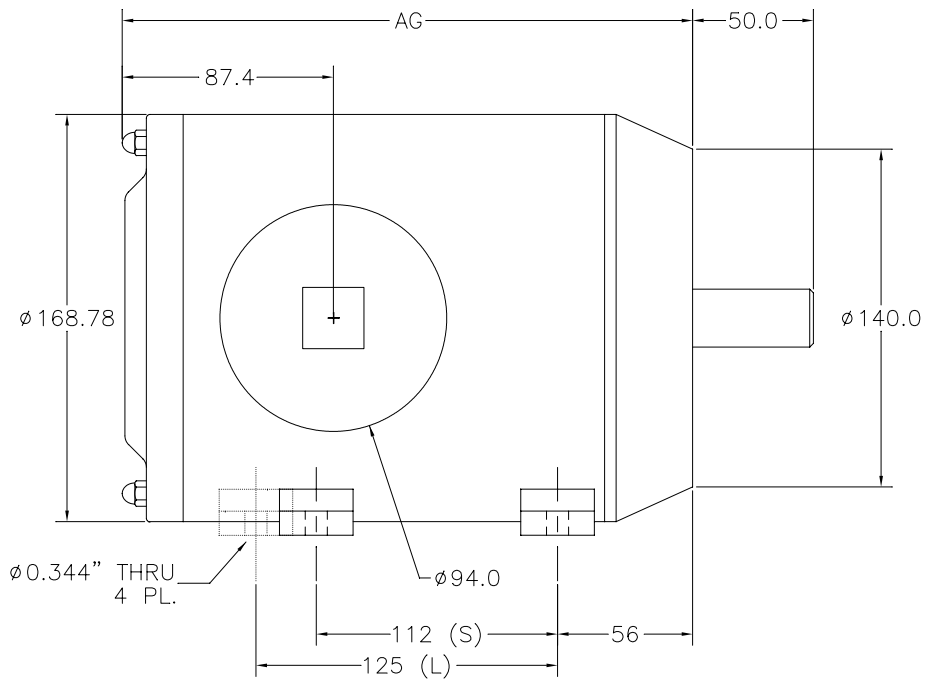


AG DIM.

	2 POLE	4 POLE	6 POLE	8 POLE
0.37 kW	236.30	261.70	274.40	299.80
0.75 kW	274.40	274.40	299.80	

REVISIONS

REV	DESCRIPTION	BY	DATE



THREADED CONDUIT
PORT M20

Ø24 SHAFT WITH
8mm KEYSEAT

NOTES:

DO NOT SCALE DRAWING		STAINLESS MOTORS INC.	
UNLESS OTHERWISE SPECIFIED: DIMENSIONS ARE IN METRIC DIMENSIONS AND SURFACE TEXTURE DESIGNATIONS APPLY PRIOR TO FINISH			
GENERAL TOLERANCES:		DRAWN MFG	90-B3 TENV THRU-FOOT
.X = ±0.15		CHECK	
.XX = ±0.10		ENG. JO	
.XXX = ±0.05		DATE 03/25/05	MOTORS/IEC/90-B3-TENV
FRACTIONAL = ±1/64		DRWG. NO.	
ANGULAR = ±1/2°			