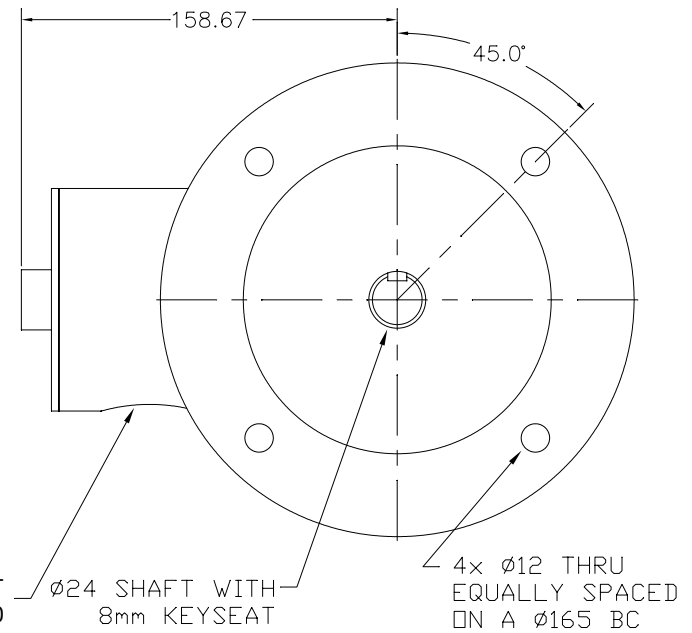
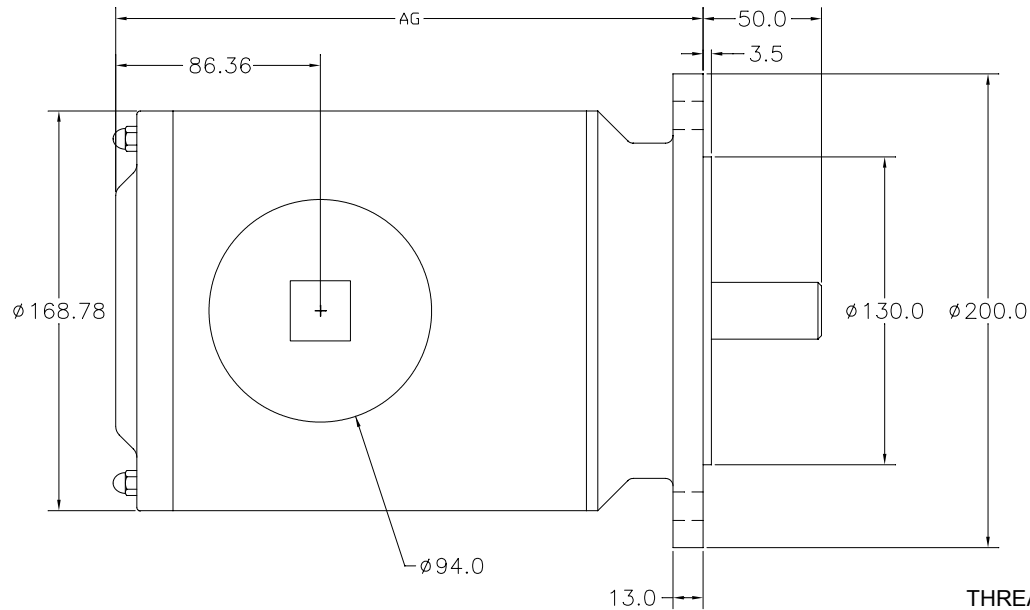


AG DIM.

	2 POLE	4 POLE	6 POLE	8 POLE
0.37 kW	247.98	273.38	286.08	311.48
0.75 kW	286.08	286.08	311.48	

REVISIONS

REV	DESCRIPTION	BY	DATE



THREADED CONDUIT PORT M20

Ø24 SHAFT WITH 8mm KEYSEAT

4x Ø12 THRU EQUALLY SPACED ON A Ø165 BC

NOTES:

DO NOT SCALE DRAWING		<b>STAINLESS MOTORS INC.</b>	
UNLESS OTHERWISE SPECIFIED: DIMENSIONS ARE IN MM DIMENSIONS AND SURFACE TEXTURE DESIGNATIONS APPLY PRIOR TO FINISH			
GENERAL TOLERANCES:		DRAWN MFG	90-B5 TENV
.X = ±.015	FRACTIONAL = ±1/64	CHECK	
.XX = ±.010	ANGULAR = ±1/2°	ENG. JO	
.XXX = ±.005		DATE 03/25/05	
		DRWG. NO. MOTORS/IEC/90-B5-TENV	