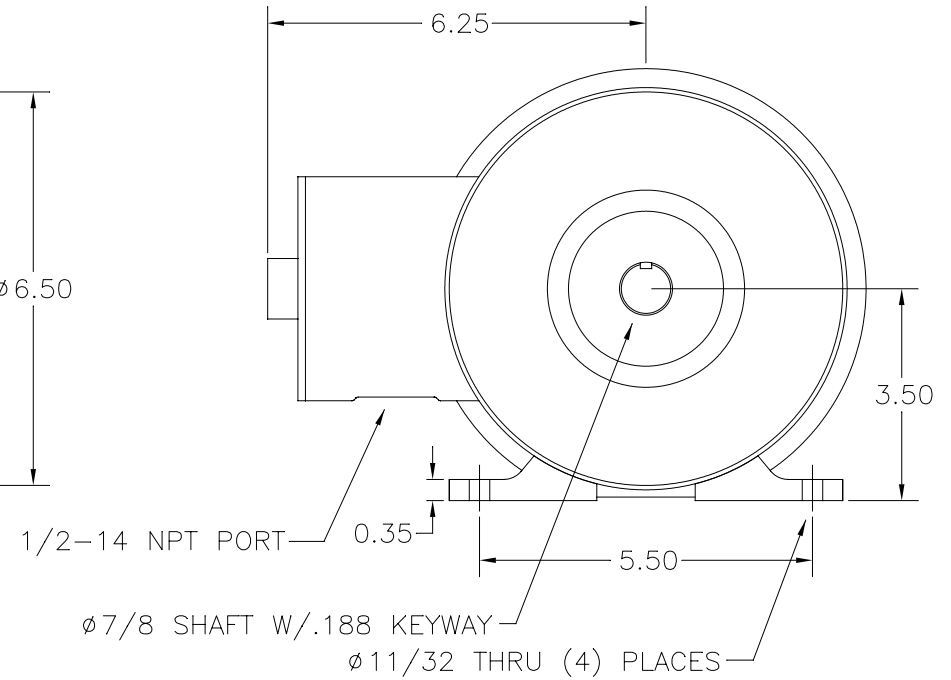
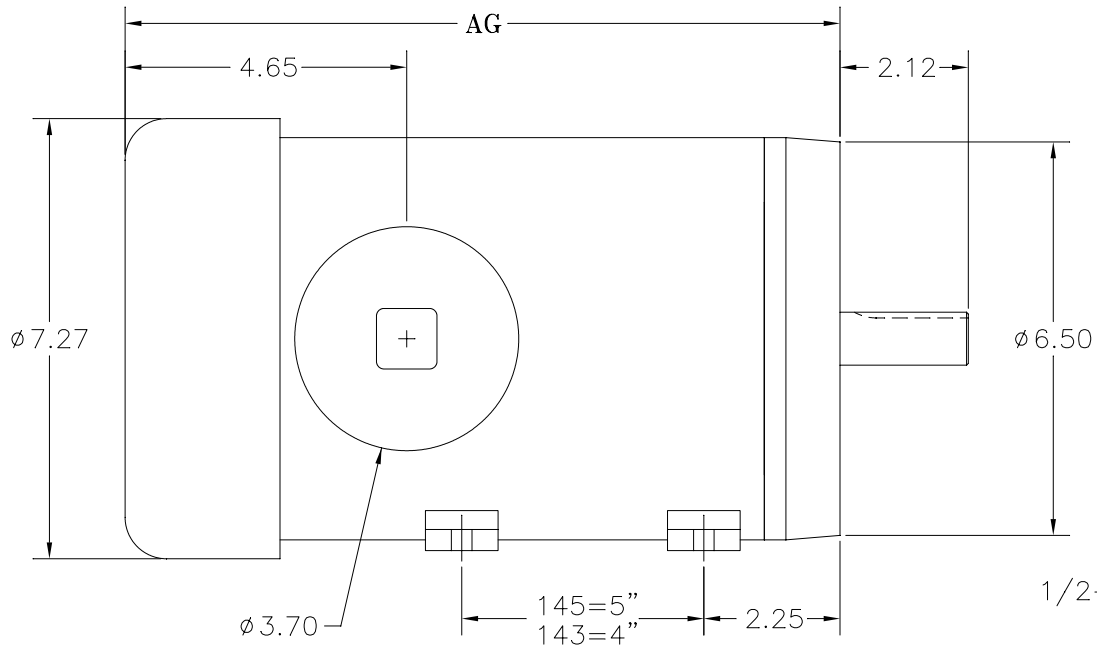


AG DIM.

| | 2 POLE | 4 POLE | 6 POLE | 8 POLE |
|--------|--------|--------|--------|--------|
| 1/2 HP | 10.31 | 10.31 | | |
| 1 HP | 11.81 | 11.81 | | |
| 1.5 HP | 12.31 | 12.31 | | |
| 2 HP | 12.31 | 12.81 | | |
| 3 HP | 12.81 | | | |

REVISIONS

| REV | DESCRIPTION | BY | DATE |
|-----|-------------|----|------|
| | | | |



1. ALLOW 1" CLEARANCE BEYOND FAN SHROUD FOR AIR FLOW

NOTES:

| | | |
|-------------------------------------------------------------------|------------------------------------------------------------------|----------------------------------------------|
| DO NOT SCALE DRAWING | MATERIAL: T304 EXTERIOR 17-4 H1150 SHAFT | STAINLESS MOTORS INC. |
| UNLESS OTHERWISE SPECIFIED | FINISH: #2B AS CAST FEET | |
| DIMENSIONS ARE IN INCHES | GENERAL TOLERANCES: .X = ±.015 .XX = ±.010 .XXX = ±.005 | DRAWN GP CHECK ENG. JO DATE 4/21/03 |
| DIMENSIONS AND SURFACE TEXTURE DESIGNATIONS APPLY PRIOR TO FINISH | FRACTIONAL = ±1/64 ANGULAR = ±1/2" | 140T FRAME FOOT MOUNT TEFC, THRU FOOT |
| DEBURR AND BREAK ALL SHARP EDGES .005-.015 | REFERENCE DRAWING: | |
| | DRWG. NO. DRAFTING\MOTORS\STANDARDIZED DRAWINGS\FOOD\140\140T | |