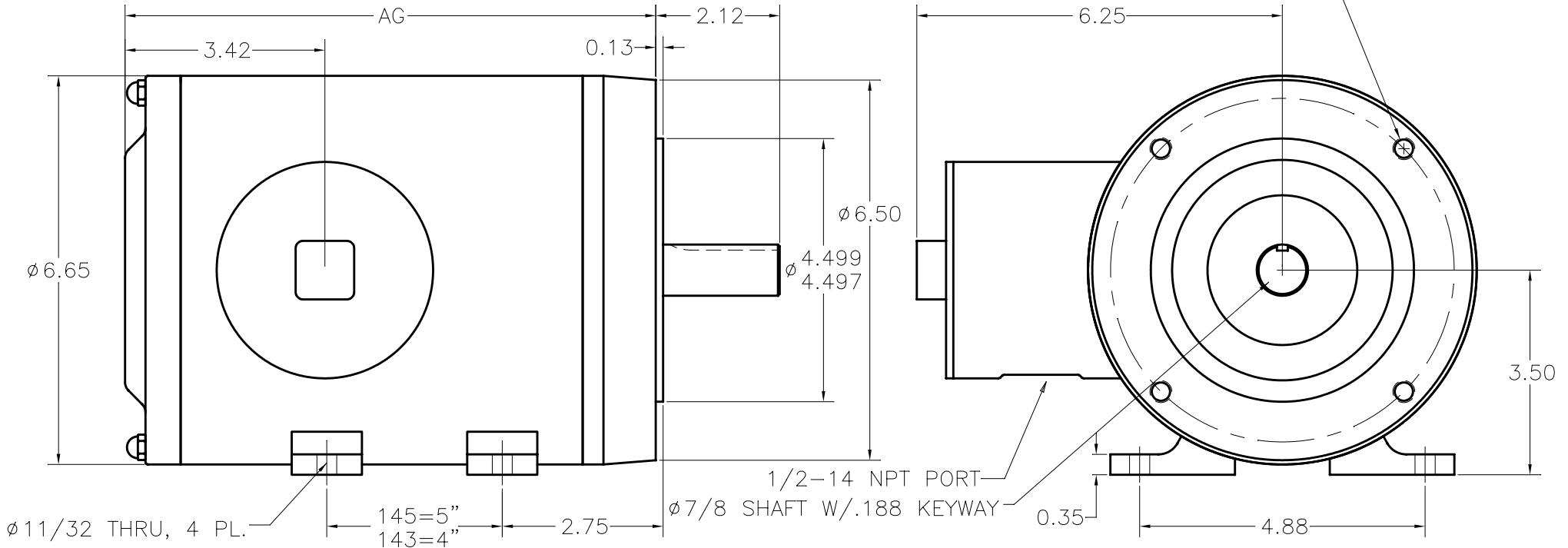


AG DIM.

	2 POLE	4 POLE	6 POLE	8 POLE
1/2 HP	9.08	9.08		
1 HP	10.58	10.58		
1.5 HP	11.08	11.08		
2 HP	11.58	11.58		
3 HP	11.58			

REVISIONS			
REV	DESCRIPTION	BY	DATE

3/8-16unc X 0.50 DP
4 PL. EQ. SP.
ON A ø5.875 B.C.



1. FOOTLESS DIMS SAME

NOTES:

DO NOT SCALE DRAWING	MATERIAL: T304 EXTERIOR 17-4 H1150 SHAFT	STAINLESS MOTORS INC.
UNLESS OTHERWISE SPECIFIED	FINISH: #2B AS CAST FEET	
DIMENSIONS ARE IN INCHES	GENERAL TOLERANCES: .X = ±.015 .XX = ±.010 .XXX = ±.005	DRAWN MFG
DIMENSIONS AND SURFACE TEXTURE DESIGNATIONS APPLY PRIOR TO FINISH	FRACTIONAL = ±1/64 ANGULAR = ±1/2°	CHECK
DEBURR AND BREAK ALL SHARP EDGES .005-.015	REFERENCE DRAWING:	ENG. JO
	DRWG. NO. F:\DRAFTING\MOTORS\STANDARDIZED DRAWINGS\F00D\140\140TC-TENV	DATE 07/06/05
		143TC/145TC FRAME C FACE MOUNT TENV, THRU FOOT