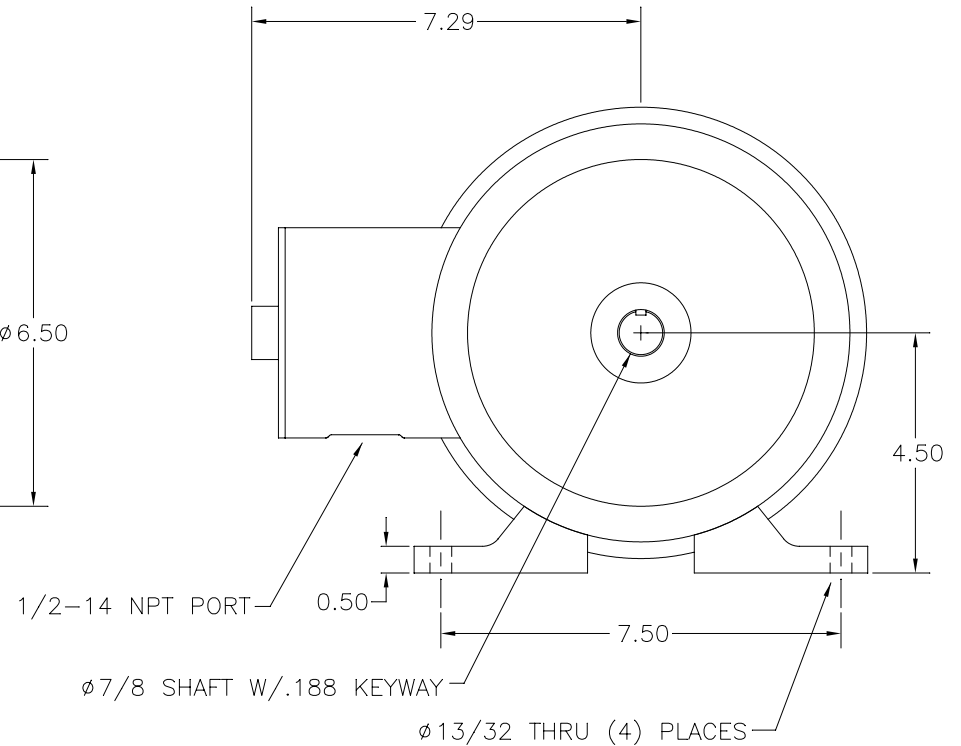
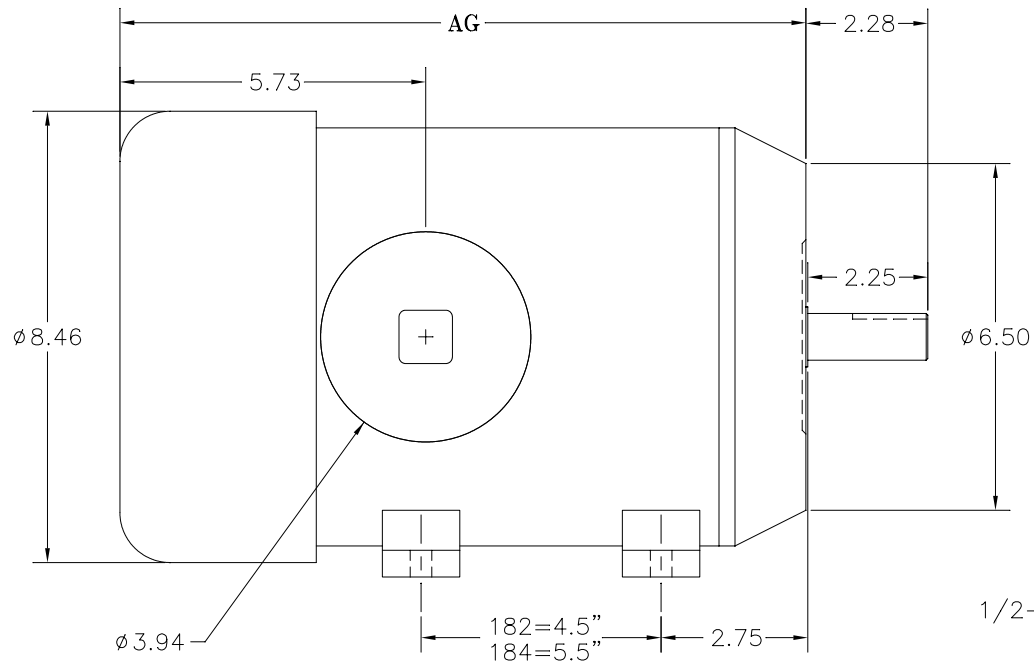


AG DIM.

	2 POLE	4 POLE	6 POLE	8 POLE
3 HP	12.86	12.86		
5 HP	14.36	14.86		

REVISIONS			
REV	DESCRIPTION	BY	DATE



1. ALLOW 1" CLEARANCE BEYOND FAN SHROUD FOR AIR FLOW

NOTES:

DO NOT SCALE DRAWING	MATERIAL: T304 EXTERIOR 17-4 H1150 SHAFT	STAINLESS MOTORS INC.
UNLESS OTHERWISE SPECIFIED	FINISH: #2B AS CAST FEET	
DIMENSIONS ARE IN INCHES	GENERAL TOLERANCES: .X = ±.015 .XX = ±.010 .XXX = ±.005	DRAWN GP
DIMENSIONS AND SURFACE TEXTURE DESIGNATIONS APPLY PRIOR TO FINISH	FRACTIONAL = ±1/64 ANGULAR = ±1/2'	CHECK
DEBURR AND BREAK ALL SHARP EDGES .005-.015	REFERENCE DRAWING:	ENG. JO
		DATE 4/21/03
	DRWG. NO. DRAFTING\MOTORS\STANDARDIZED DRAWINGS\F00D\180\180	180 FRAME FOOT MOUNT TEFC, THRU FOOT