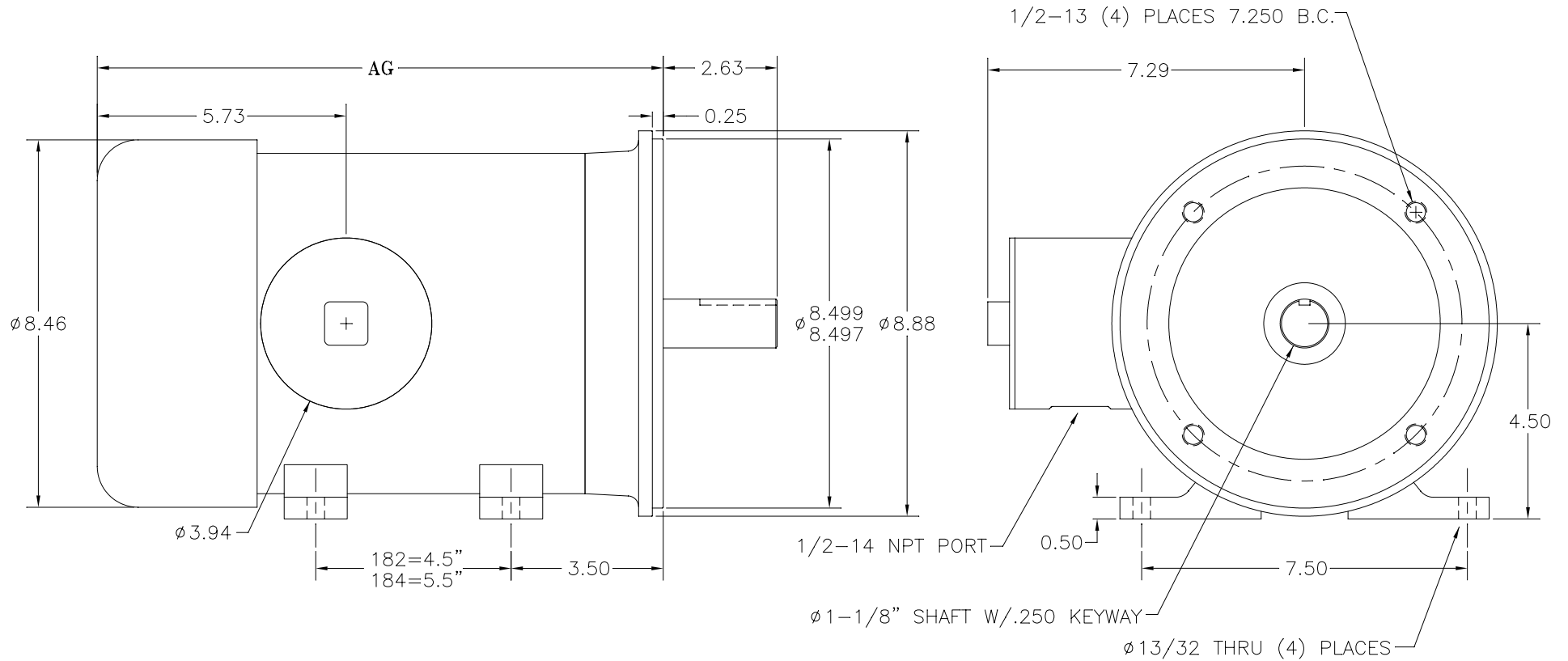


AG DIM.

	2 POLE	4 POLE	6 POLE	8 POLE
3 HP	13.03	13.03		
5 HP	14.53	15.03		

REVISIONS

REV	DESCRIPTION	BY	DATE



- 2. ALLOW 1" CLEARANCE BEYOND FAN SHROUD FOR AIR FLOW
- 1. FOOTLESS DIMS SAME

NOTES:

DO NOT SCALE DRAWING	MATERIAL: T304 EXTERIOR 17-4 H1150 SHAFT	STAINLESS MOTORS INC.
UNLESS OTHERWISE SPECIFIED	FINISH: #2B AS CAST FEET	
DIMENSIONS ARE IN INCHES	GENERAL TOLERANCES:	DRAWN GP
DIMENSIONS AND SURFACE TEXTURE DESIGNATIONS APPLY PRIOR TO FINISH	.X = ±.015 FRACTIONAL = ±1/64 .XX = ±.010 ANGULAR = ±1/2° .XXX = ±.005	CHECK
DEBURR AND BREAK ALL SHARP EDGES .005-.015	REFERENCE DRAWING:	ENG. JO
		DATE 4/21/03
	DRWG. NO. DRAFTING\MOTORS\STANDARDIZED DRAWINGS\F00D\180\180TC	180TC FRAME C FACE MOUNT TEFC, THRU FOOT