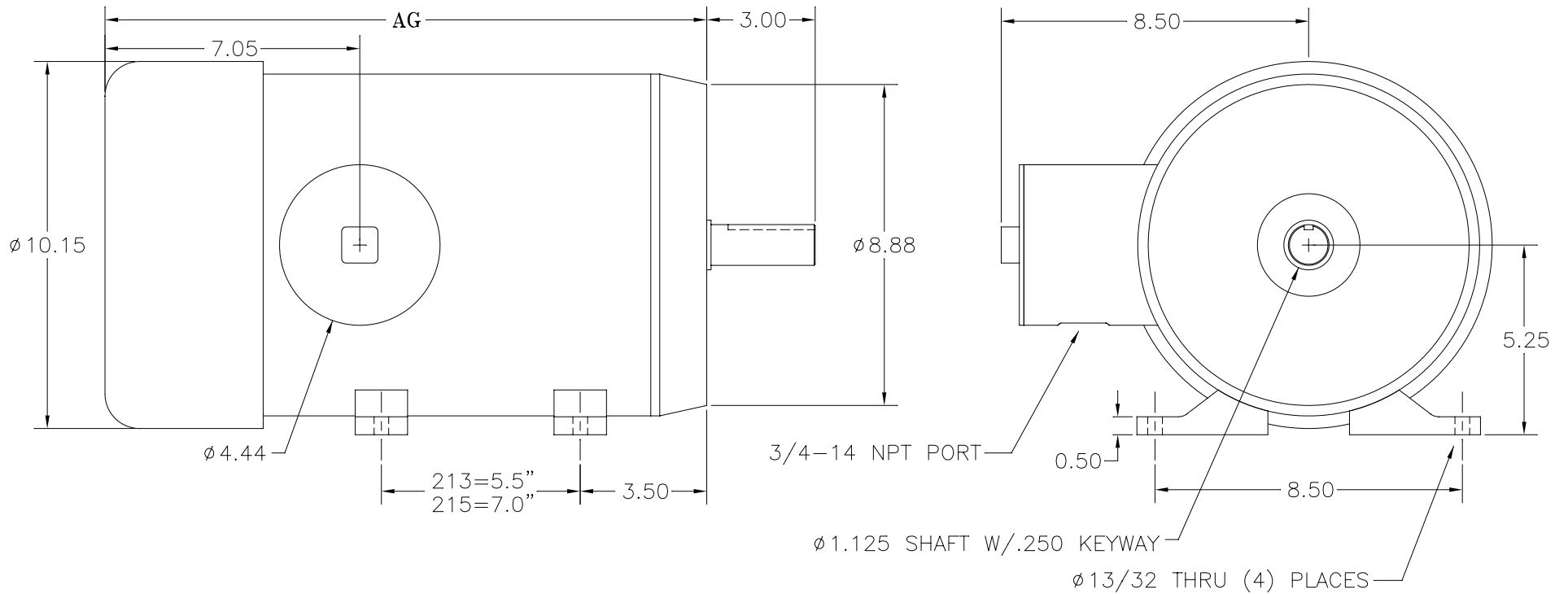


AG DIM.				
	2 POLE	4 POLE	6 POLE	8 POLE
7.5 HP	16.15	16.15		
10 HP	16.65	17.40		

REVISIONS			
REV	DESCRIPTION	BY	DATE



1. ALLOW 1" CLEARANCE BEYOND FAN SHROUD FOR AIR FLOW

NOTES:

DO NOT SCALE DRAWING UNLESS OTHERWISE SPECIFIED DIMENSIONS ARE IN INCHES DIMENSIONS AND SURFACE TEXTURE DESIGNATIONS APPLY PRIOR TO FINISH DEBURR AND BREAK ALL SHARP EDGES .005-.015	MATERIAL: T304 EXTERIOR 17-4 H1150 SHAFT	STAINLESS MOTORS INC.
	FINISH: #2B AS CAST FEET	
GENERAL TOLERANCES: .X = ±.015 .XX = ±.010 .XXX = ±.005	FRACTIONAL = ±1/64 ANGULAR = ±1/2°	DRAWN GP CHECK ENG. JO DATE 5/23/03
REFERENCE DRAWING:	DRWG. NO.: MOTORS\STANDARDIZED DRAWINGS\FOOD\210\210	210 FRAME FOOT MOUNT TEFC, THRU FOOT