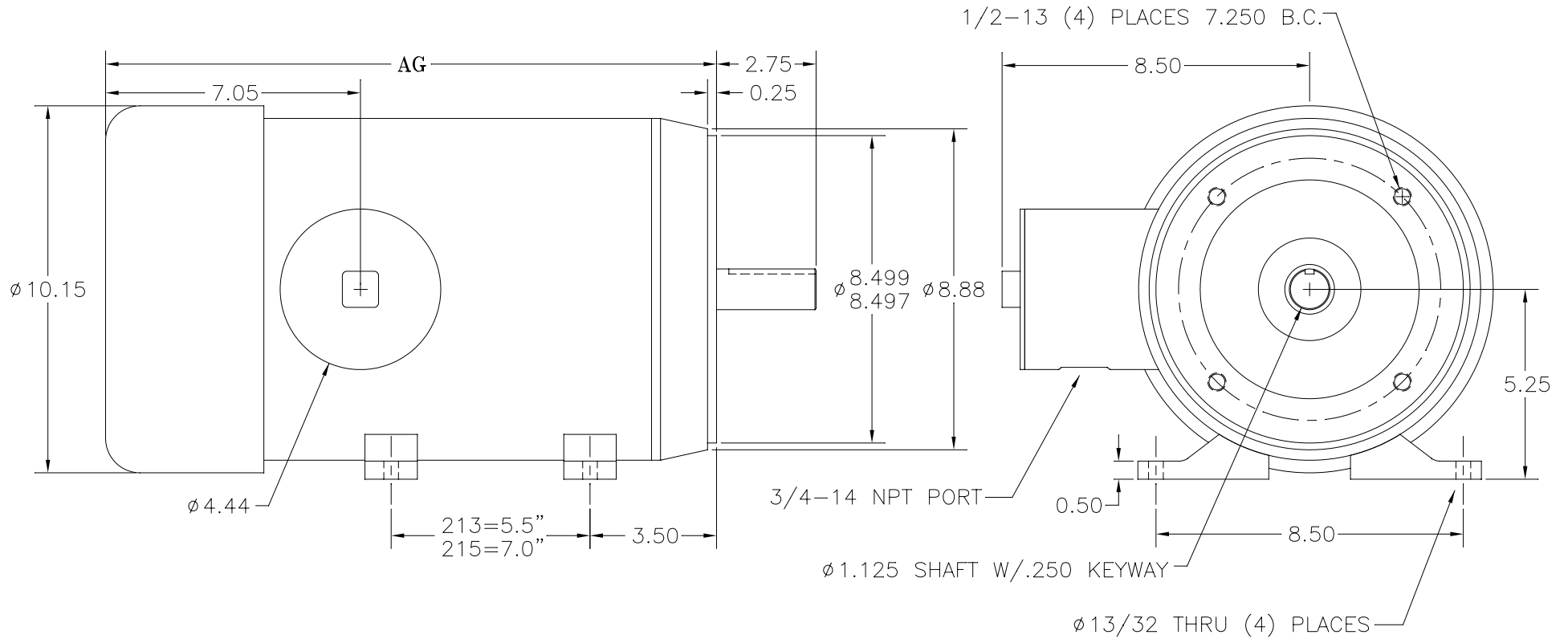


AG DIM.

	2 POLE	4 POLE	6 POLE	8 POLE
7.5 HP	16.40	16.40		
10 HP	16.90	17.65		

REVISIONS

REV	DESCRIPTION	BY	DATE



2. ALLOW 1" CLEARANCE BEYOND FAN SHROUD FOR AIR FLOW  
 1. FOOTLESS DIMS SAME

NOTES:

DO NOT SCALE DRAWING	MATERIAL: T304 EXTERIOR 17-4 H1150 SHAFT	<b>STAINLESS MOTORS INC.</b>
UNLESS OTHERWISE SPECIFIED	FINISH: #2B AS CAST FEET	
DIMENSIONS ARE IN INCHES	GENERAL TOLERANCES: .X = ±.015 .XX = ±.010 .XXX = ±.005	DRAWN GP
DIMENSIONS AND SURFACE TEXTURE DESIGNATIONS APPLY PRIOR TO FINISH	FRACTIONAL = ±1/64 ANGULAR = ±1/2°	CHECK
DEBURR AND BREAK ALL SHARP EDGES .005--.015	REFERENCE DRAWING:	ENG. JO
	DRWG. NO.: MOTORS\STANDARDIZED DRAWINGS\FOOD\210\210C	DATE 5/23/03

210C FRAME  
C FACE MOUNT  
TEFC, THRU FOOT