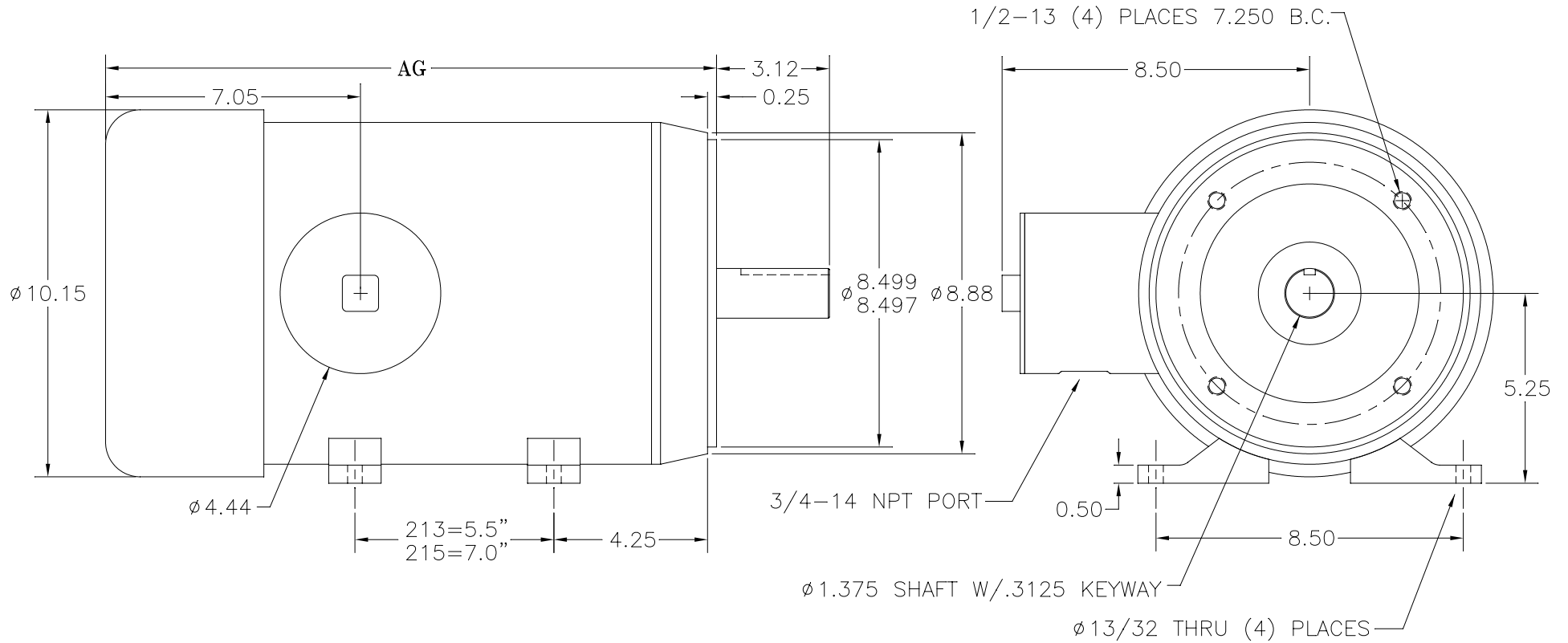


AG DIM.

	2 POLE	4 POLE	6 POLE	8 POLE
7.5 HP	16.40	16.40		
10 HP	16.90	17.65		

REVISIONS

REV	DESCRIPTION	BY	DATE



- 2. ALLOW 1" CLEARANCE BEYOND FAN SHROUD FOR AIR FLOW
- 1. FOOTLESS DIMS SAME

NOTES:

DO NOT SCALE DRAWING	MATERIAL: T304 EXTERIOR 17-4 H1150 SHAFT	STAINLESS MOTORS INC.
UNLESS OTHERWISE SPECIFIED	FINISH: #2B AS CAST FEET	
DIMENSIONS ARE IN INCHES	GENERAL TOLERANCES: .X = ±.015 .XX = ±.010 .XXX = ±.005	DRAWN GP CHECK ENG. JO DATE 5/23/03
DIMENSIONS AND SURFACE TEXTURE DESIGNATIONS APPLY PRIOR TO FINISH	FRACTIONAL = ±1/64 ANGULAR = ±1/2°	210TC FRAME C FACE MOUNT TEFC, THRU FOOT
DEBURR AND BREAK ALL SHARP EDGES .005--.015	REFERENCE DRAWING:	
	DRWG. NO. MOTORS\STANDARDIZED DRAWINGS\FOOD\210\210TC	