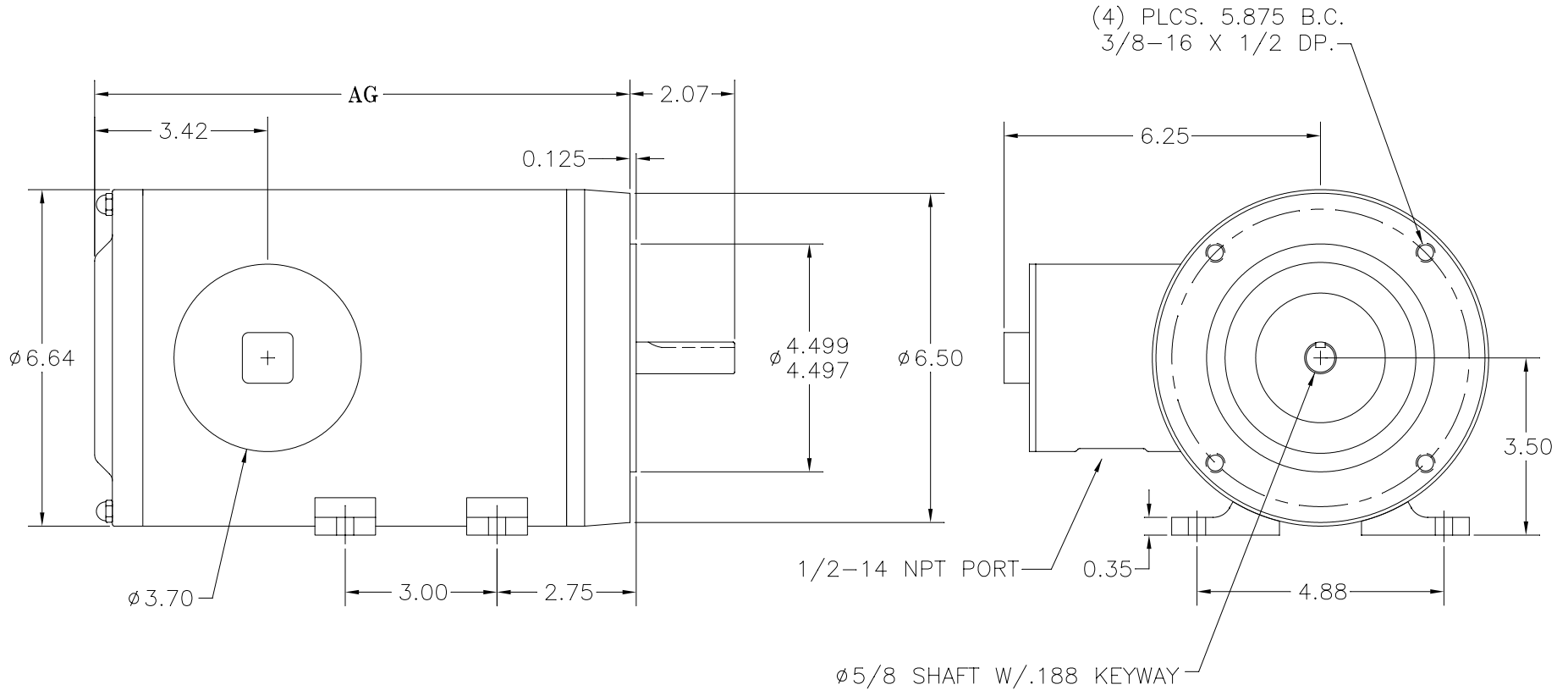


AG DIM.				
	2 POLE	4 POLE	6 POLE	8 POLE
1/2 HP	9.07	9.07		
1 HP	10.57	10.57		
1.5 HP	11.07	11.07		
2 HP	11.07	11.57		
3 HP	11.57			

REVISIONS			
REV	DESCRIPTION	BY	DATE



1. FOOTLESS DIMS SAME

NOTES:

DO NOT SCALE DRAWING	MATERIAL: T304 EXTERIOR 17-4 H1150 SHAFT	STAINLESS MOTORS INC.
UNLESS OTHERWISE SPECIFIED	FINISH: #2B AS CAST FEET	
DIMENSIONS ARE IN INCHES	GENERAL TOLERANCES: X = ±.015 .XX = ±.010 .XXX = ±.005	DRAWN GP CHECK ENG. JO DATE 4/21/03
DIMENSIONS AND SURFACE TEXTURE DESIGNATIONS APPLY PRIOR TO FINISH	FRACTIONAL = ±1/64 ANGULAR = ±1/2°	56C FRAME C FACE MOUNT TENV, THRU FOOT
DEBURR AND BREAK ALL SHARP EDGES .005-.015	REFERENCE DRAWING: DRWG NO. \DRAWING\MOTORS\STANDARDIZED DRAWINGS\FOOD\56\56C-TENV	