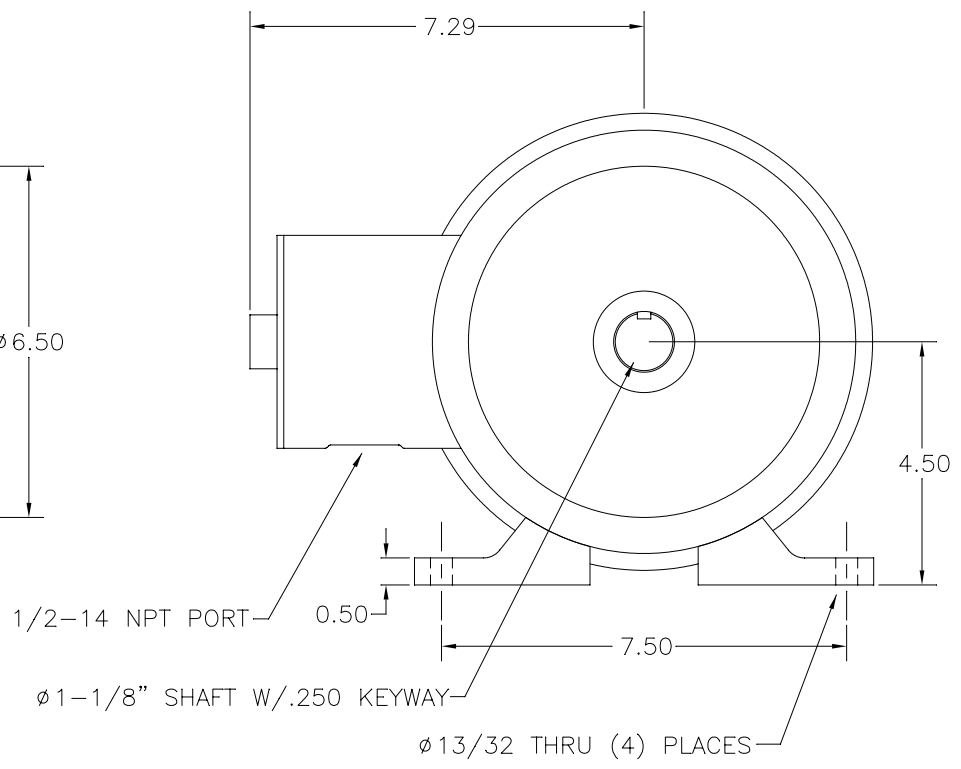
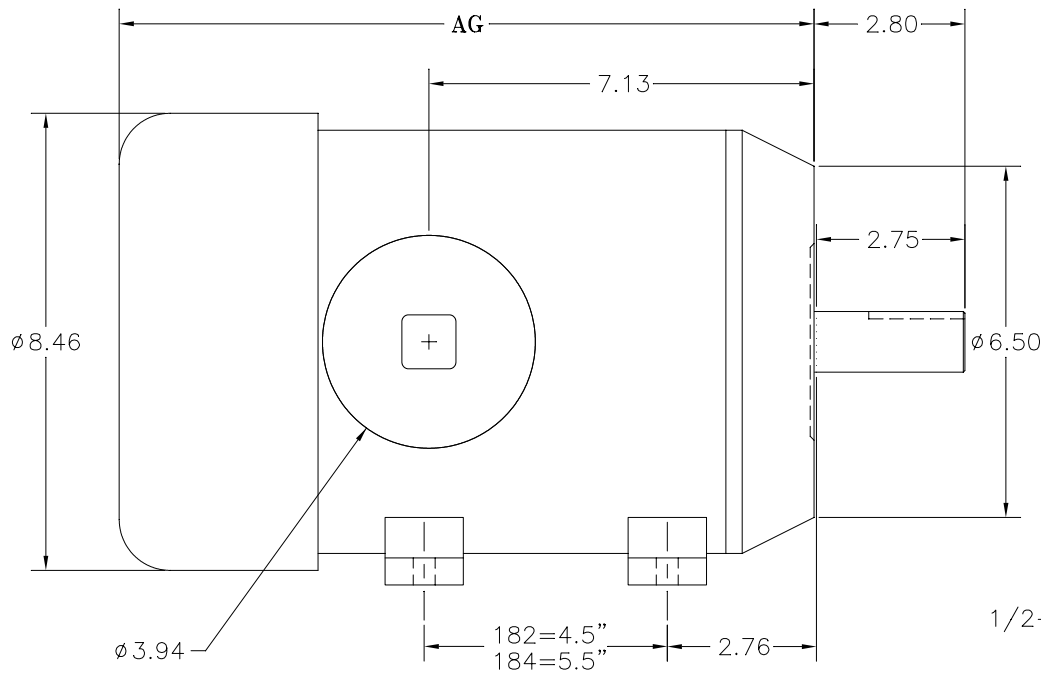


AG DIM.				
	2 POLE	4 POLE	6 POLE	8 POLE
1 HP				14.86
1.5 HP			14.86	14.86
2 HP		12.86	14.86	
3 HP	12.86	12.86		
5 HP	14.86	14.86		

REVISIONS			
REV	DESCRIPTION	BY	DATE



2. ALLOW 1" CLEARANCE BEYOND FAN SHROUD FOR AIR FLOW.  
 1. THROUGH HOLE FOOT SHOWN, BLIND TAPPED FOOT AVAILABLE WITH 3/8-16 X .450 DP.

NOTES:

DO NOT SCALE DRAWING	MATERIAL: T304 EXTERIOR 17-4 H1150 SHAFT	<b>STAINLESS MOTORS INC.</b>
	FINISH: #4 LINE POLISHED SHROUD	
UNLESS OTHERWISE SPECIFIED	GENERAL TOLERANCES: .X = ±.015 .XX = ±.010 .XXX = ±.005	DRAWN GP
DIMENSIONS ARE IN INCHES	FRACTIONAL = ±1/64 ANGULAR = ±1/2'	CHECK
DIMENSIONS AND SURFACE TEXTURE DESIGNATIONS APPLY PRIOR TO FINISH	REFERENCE DRAWING:	ENG. JO
DEBURR AND BREAK ALL SHARP EDGES .005-.015	DRWG. NO. DRAFTING\MOTORS\STANDARDIZED DRAWINGS\PHARM\180\180T	DATE 4/21/03
		180T FRAME FOOT MOUNT TEFC, THRU FOOT