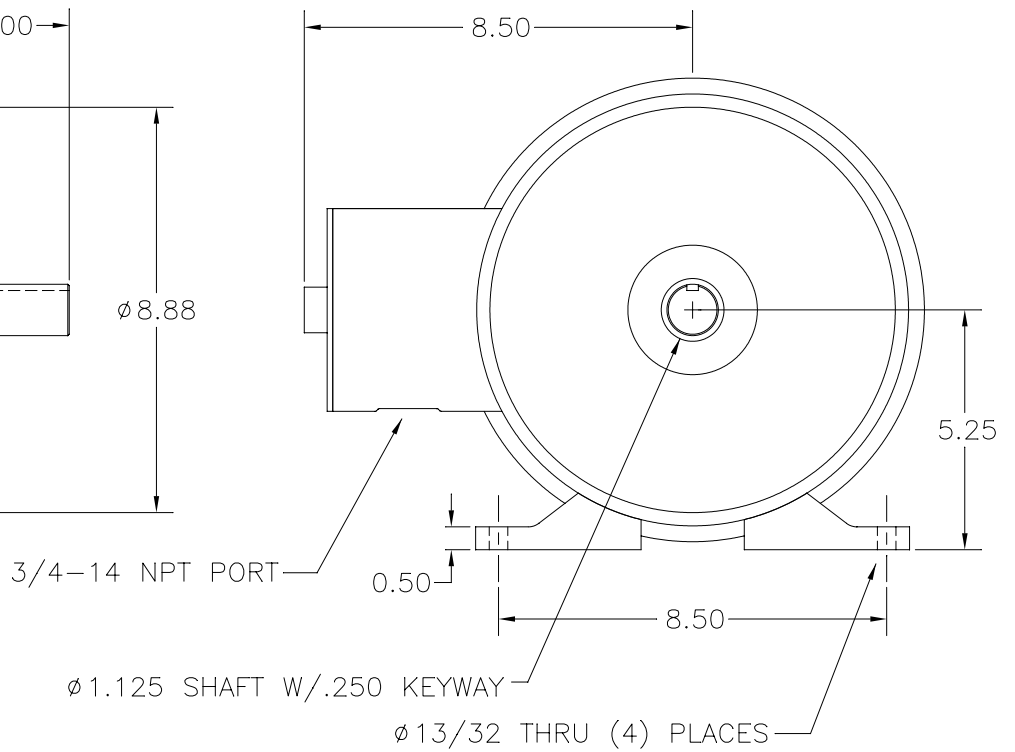
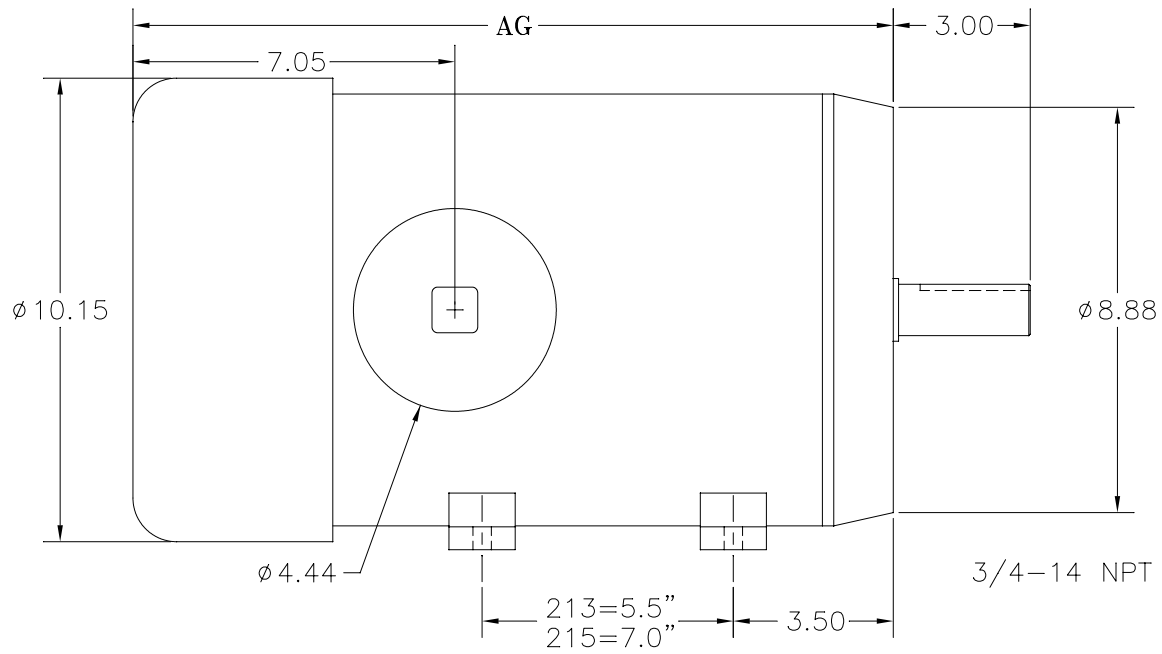


AG DIM.

	2 POLE	4 POLE	6 POLE	8 POLE
2 HP				16.65
3 HP			16.65	16.65
5 HP			17.40	
7.5 HP	16.65	16.65		
10 HP	17.40	17.40		

REVISIONS			
REV	DESCRIPTION	BY	DATE



- 2. ALLOW 1" CLEARANCE BEYOND FAN SHROUD FOR AIR FLOW
- 1. THROUGH HOLE FOOT SHOWN, BLIND TAPPED FOOT AVAILABLE WITH 3/8-16 X .500 DP.

NOTES:

DO NOT SCALE DRAWING	MATERIAL: T304 EXTERIOR 17-4 H1150 SHAFT	STAINLESS MOTORS INC.
UNLESS OTHERWISE SPECIFIED	FINISH: #4 LINE POLISHED SHROUD	
DIMENSIONS ARE IN INCHES	GENERAL TOLERANCES: .X = ±.015 .XX = ±.010 .XXX = ±.005	DRAWN GP CHECK ENG. JO DATE 5/23/03
DIMENSIONS AND SURFACE TEXTURE DESIGNATIONS APPLY PRIOR TO FINISH	FRACTIONAL = ±1/64 ANGULAR = ±1/2°	210 FRAME FOOT MOUNT TEFC, THRU FOOT
DEBURR AND BREAK ALL SHARP EDGES .005-.015	REFERENCE DRAWING:	
	DRWG. NO. MOTORS\STANDARDIZED DRAWINGS\PHARM\210\210	