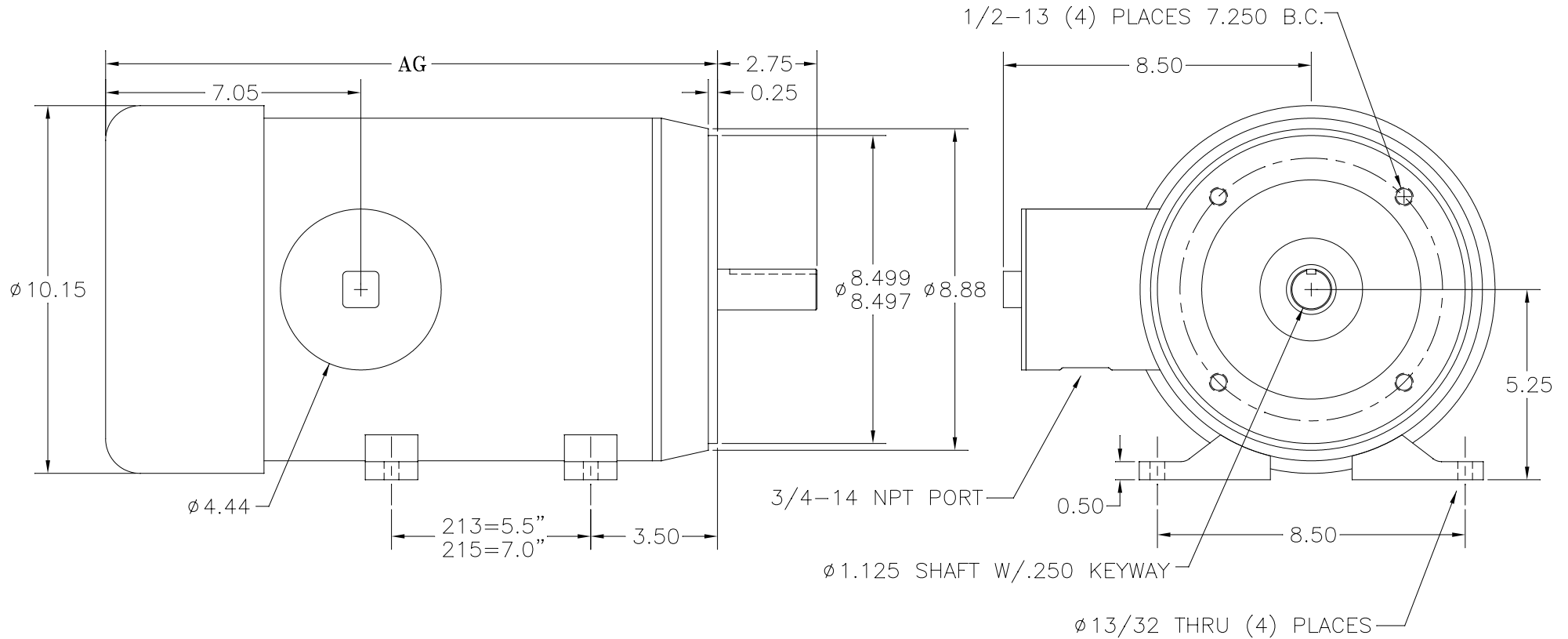


AG DIM.

	2 POLE	4 POLE	6 POLE	8 POLE
2 HP				16.90
3 HP			16.90	16.90
5 HP			17.65	
7.5 HP	16.90	16.90		
10 HP	17.65	17.65		

REVISIONS

REV	DESCRIPTION	BY	DATE



- 3. ALLOW 1" CLEARANCE BEYOND FAN SHROUD FOR AIR FLOW
- 2. FOOTLESS DIMS SAME
- 1. THROUGH HOLE FOOT SHOWN, BLIND TAPPED FOOT AVAILABLE WITH 3/8-16 X .500 DP.

NOTES:

DO NOT SCALE DRAWING UNLESS OTHERWISE SPECIFIED DIMENSIONS ARE IN INCHES DIMENSIONS AND SURFACE TEXTURE DESIGNATIONS APPLY PRIOR TO FINISH DEBURR AND BREAK ALL SHARP EDGES .005-.015	MATERIAL: T304 EXTERIOR 17-4 H1150 SHAFT	STAINLESS MOTORS INC.
	FINISH: #4 LINE POLISHED SHROUD	
GENERAL TOLERANCES: .X = ±.015 .XX = ±.010 .XXX = ±.005	FRACTIONAL = ±1/64 ANGULAR = ±1/2°	DRAWN GP CHECK ENG. JO DATE 5/23/03
REFERENCE DRAWING:	DRWG. NO. MOTORS\STANDARDIZED DRAWINGS\PHARM\210\210C	210C FRAME C FACE MOUNT TEFC, THRU FOOT