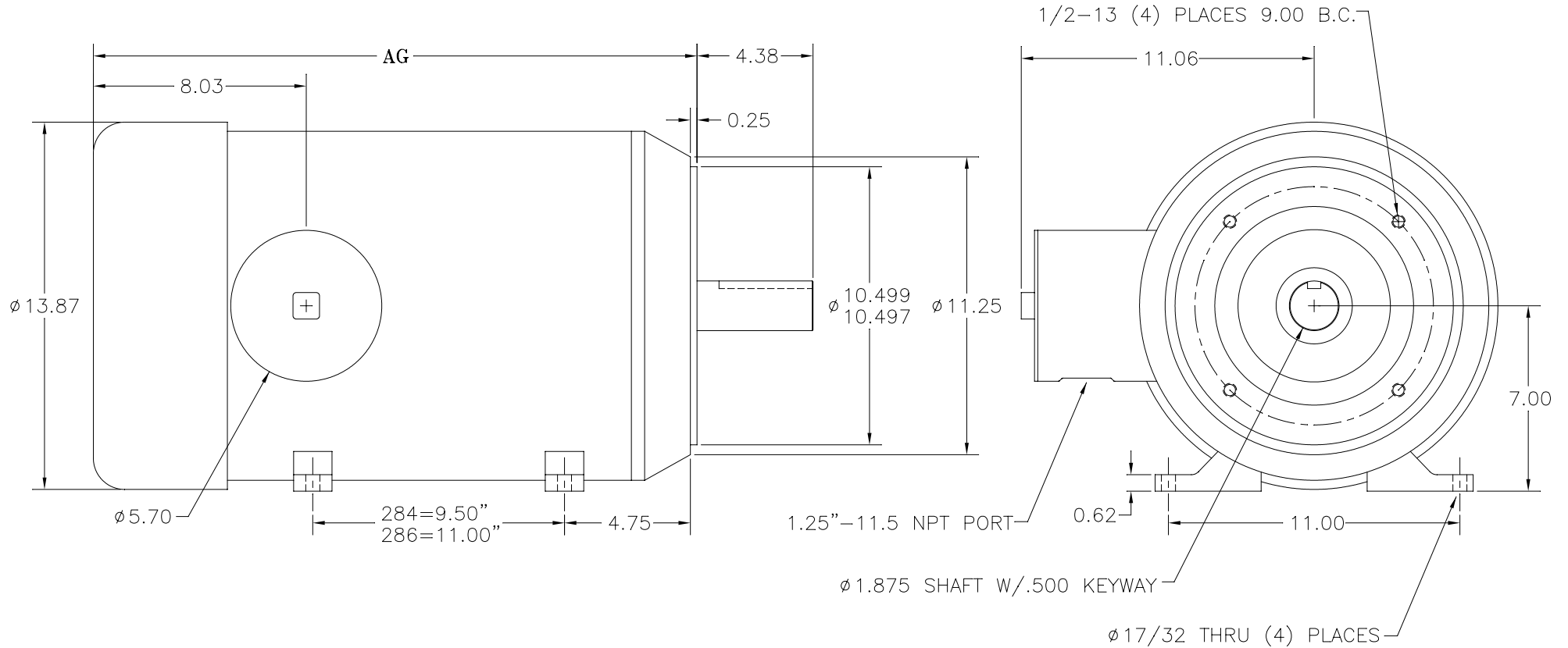


AG DIM.			
	2 POLE	4 POLE	6 POLE
15 HP			23.78
20 HP			24.78
25 HP	22.78	23.78	
30 HP	23.78	24.78	

REVISIONS			
REV	DESCRIPTION	BY	DATE



3. ALLOW 1" CLEARANCE BEYOND FAN SHROUD FOR AIR FLOW
2. FOOTLESS DIMS SAME.
1. THROUGH HOLE FOOT SHOWN, BLIND TAPPED FOOT AVAILABLE WITH 1/2-13 X .750 DP.

NOTES:

DO NOT SCALE DRAWING	MATERIAL: T304 EXTERIOR 17-4 H1150 SHAFT	STAINLESS MOTORS INC.
UNLESS OTHERWISE SPECIFIED	FINISH: #4 LINE POLISHED SHROUD	
DIMENSIONS ARE IN INCHES	GENERAL TOLERANCES: .X = ±.015 .XX = ±.010 .XXX = ±.005	DRAWN GP
DIMENSIONS AND SURFACE TEXTURE DESIGNATIONS APPLY PRIOR TO FINISH	FRACTIONAL = ±1/64 ANGULAR = ±1/2	CHECK
DEBURR AND BREAK ALL SHARP EDGES .005-.015	REFERENCE DRAWING:	ENG. JO
	DRWG. NO. MOTORS\STANDARDIZED DRAWINGS\PHARM\280\280TC	DATE 5/23/03
		280TC FRAME C FACE MOUNTED TEFC, THRU FOOT