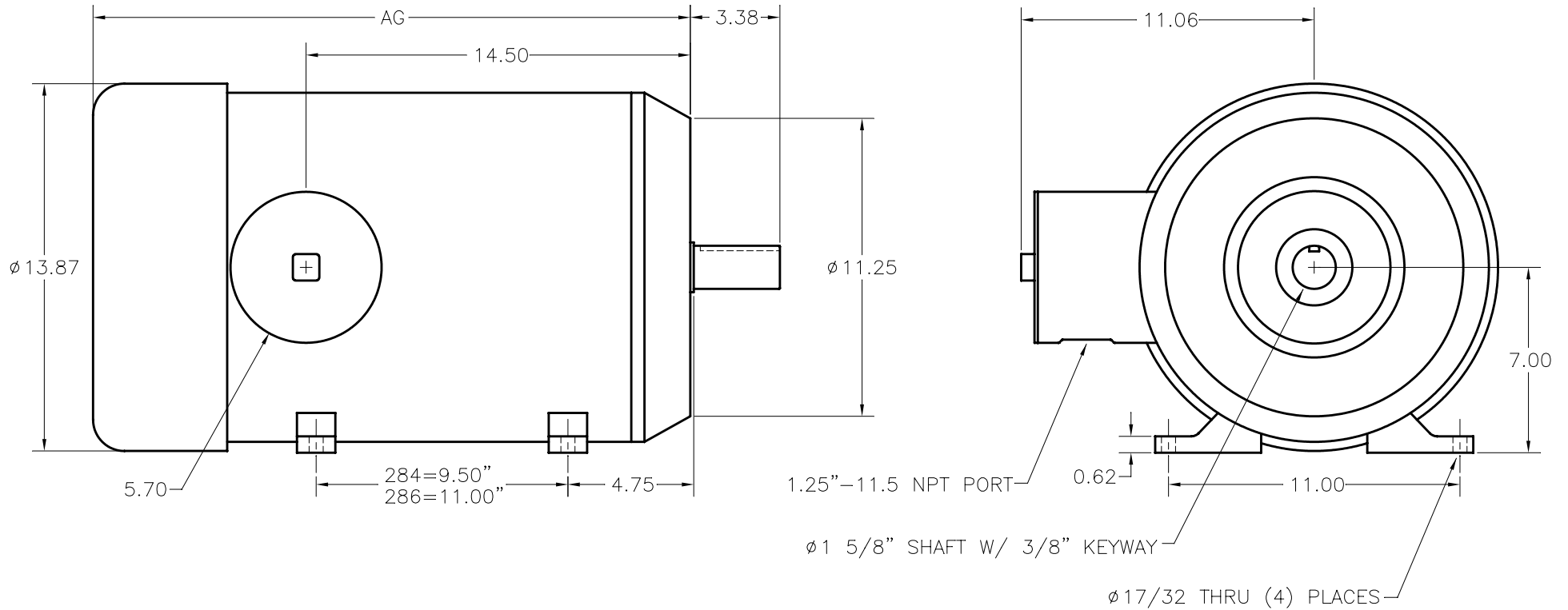


AG DIM.

	2 POLE	4 POLE	6 POLE
15 HP			23.53
20 HP			24.53
25 HP	22.53	23.53	
30 HP	23.53	24.53	

REVISIONS			
REV	DESCRIPTION	BY	DATE



2. ALLOW 1" CLEARANCE BEYOND FAN SHROUD FOR AIR FLOW.
 1. THROUGH HOLE FOOT SHOWN, BLIND TAPPED FOOT AVAILABLE WITH 1/2-13unc x 0.750 DP.

NOTES:

DO NOT SCALE DRAWING	MATERIAL: T304 EXTERIOR 17-4 H1150 SHAFT	STAINLESS MOTORS INC.
UNLESS OTHERWISE SPECIFIED	FINISH: #4 LINE POLISHED SHROUD	
DIMENSIONS ARE IN INCHES	GENERAL TOLERANCES: .X = ±.015 FRACTIONAL = ±1/64 .XX = ±.010 ANGULAR = ±1/2° .XXX = ±.005	DRAWN SKT CHECK
DIMENSIONS AND SURFACE TEXTURE DESIGNATIONS APPLY PRIOR TO FINISH	REFERENCE DRAWING:	ENG. JO DATE 03/07/05
DEBURR AND BREAK ALL SHARP EDGES .005-.015	DRWG. NO. F:\DRAFTING\MOTORS\DIM DWGS\STANDARDIZED DRAWINGS\PHARM MOTORS\280\280TS	280TS FRAME FOOT MOUNTED TEFC, THRU FOOT