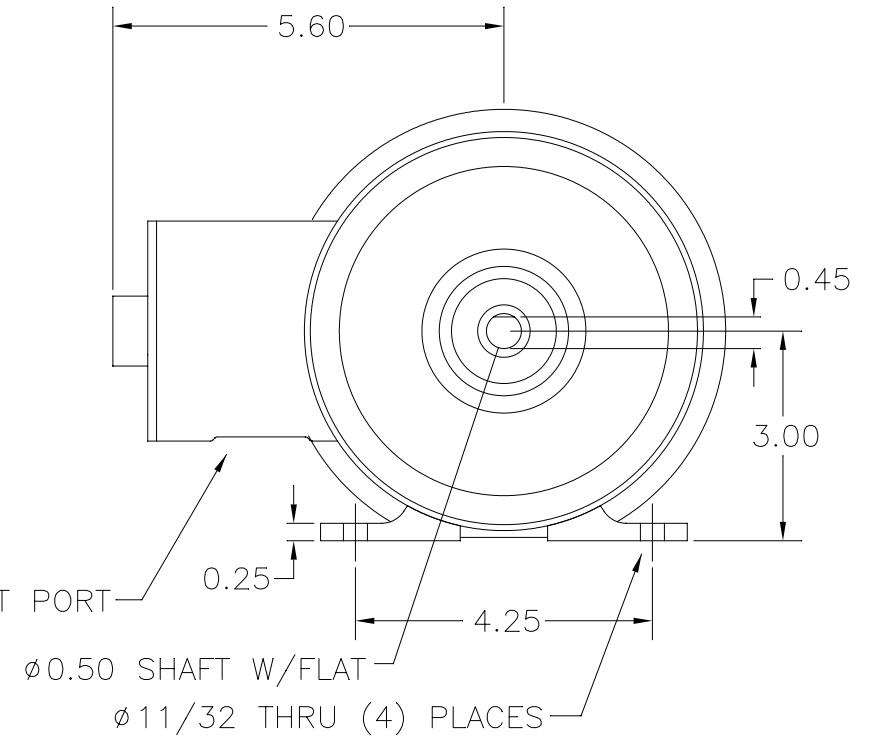
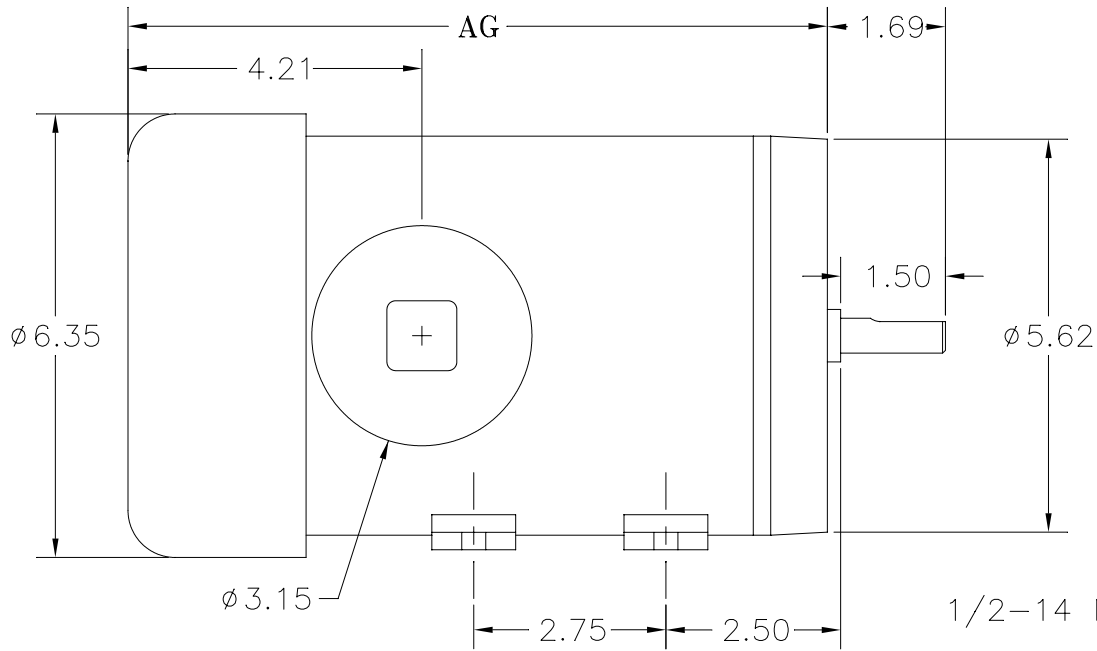


AG DIM.

	2 POLE	4 POLE	6 POLE
1/4 HP	9.01	9.01	10.01
1/2 HP		10.01	

REVISIONS

REV	DESCRIPTION	BY	DATE



1. ALLOW 1" CLEARANCE BEYOND FAN SHROUD FOR AIR FLOW

NOTES:

DO NOT SCALE DRAWING	MATERIAL: T304 EXTERIOR 17-4 H1150 SHAFT	STAINLESS MOTORS INC.
UNLESS OTHERWISE SPECIFIED	FINISH: #4 LINE POLISHED SHROUD	
DIMENSIONS ARE IN INCHES	GENERAL TOLERANCES: .X = ±.015 .XX = ±.010 .XXX = ±.005	DRAWN GP CHECK ENG. JO DATE 4/21/03
DIMENSIONS AND SURFACE TEXTURE DESIGNATIONS APPLY PRIOR TO FINISH	FRACTIONAL = ±1/64 ANGULAR = ±1/2°	48 FRAME FOOT MOUNT TEFC, THRU FOOT
DEBURR AND BREAK ALL SHARP EDGES .005-.015	REFERENCE DRAWING:	
	DRWG. NO. DRAFTING\MOTORS\STANDARDIZED DRAWINGS\PHARM\48\48	