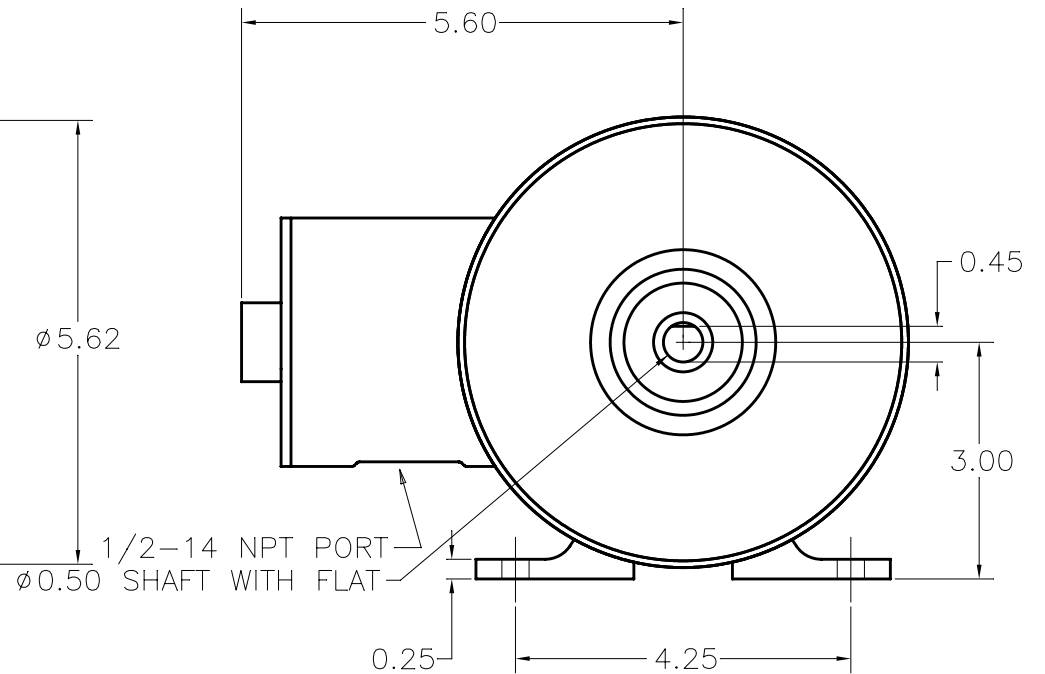
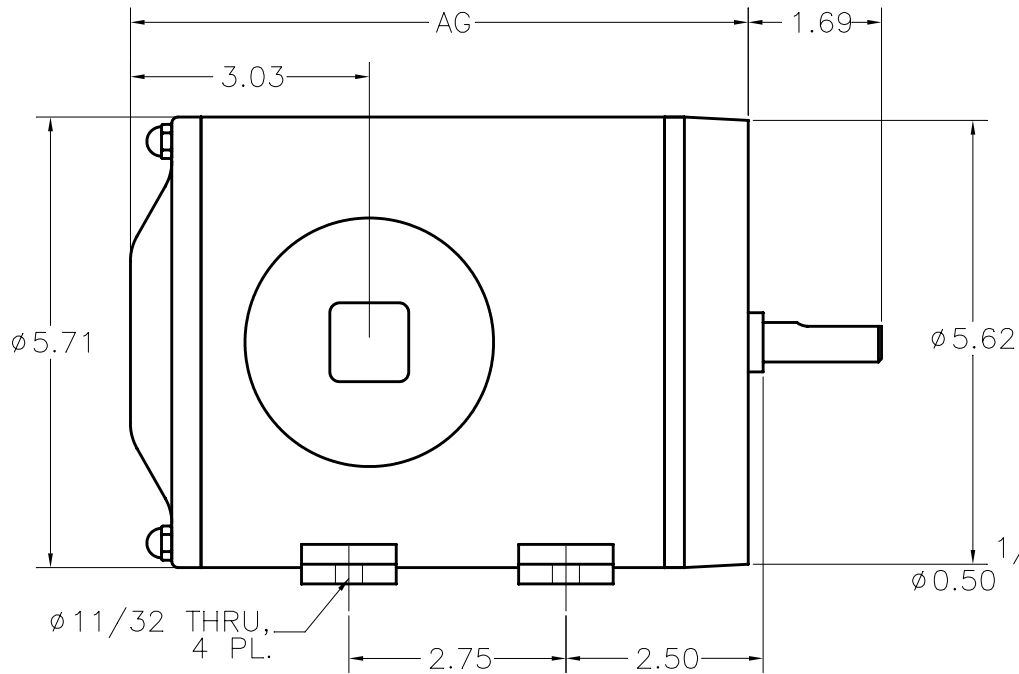


AG DIM.

	2 POLE	4 POLE	6 POLE
1/4 HP	7.95	7.95	8.95
1/2 HP		8.95	

REVISIONS			
REV	DESCRIPTION	BY	DATE



NOTES:

DO NOT SCALE DRAWING	MATERIAL: T304 EXTERIOR 17-4 H1150 SHAFT	<b>STAINLESS MOTORS INC.</b>
UNLESS OTHERWISE SPECIFIED	FINISH: #4 LINE POLISHED SHROUD	
DIMENSIONS ARE IN INCHES	GENERAL TOLERANCES:	DRAWN MFG
DIMENSIONS AND SURFACE TEXTURE DESIGNATIONS APPLY PRIOR TO FINISH	.X = ±.015 .XX = ±.010 .XXX = ±.005	CHECK
DEBURR AND BREAK ALL SHARP EDGES .005-.015	FRACTIONAL = ±1/64 ANGULAR = ±1/2°	ENG. JO
	REFERENCE DRAWING:	DATE 07/05/05
	DRWG. F:\DRAFTING\MOTORS\STANDARDIZED DRAWINGS\PHARM\48\48-TENV	48C FRAME FOOT MOUNT TENV, THRU FOOT