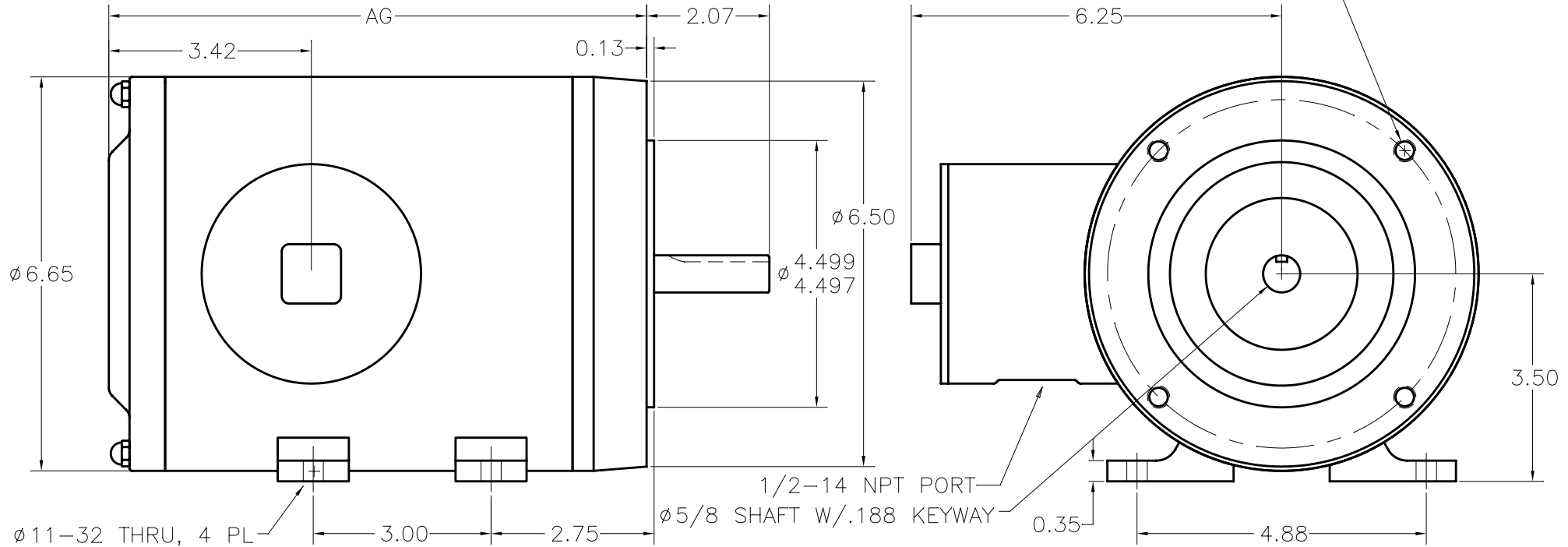


AG DIM.

	2 POLE	4 POLE	6 POLE	8 POLE
1/2 HP	10.08	10.08	10.08	11.08
1 HP	10.58	10.58	11.58	
1.5 HP	11.08	11.08		
2 HP	11.58	11.58		
3 HP	11.58			

REVISIONS			
REV	DESCRIPTION	BY	DATE

3/8-16unc X 0.50 DP
4 PL. EQ. SP.
ON A ø5.875 B.C.



2. FOOTLESS DIMS SAME
1. THROUGH HOLE FOOT SHOWN, BLIND TAPPED FOOT AVAILABLE WITH 5/16-18 X .450 DP.

NOTES:

DO NOT SCALE DRAWING	MATERIAL: T304 EXTERIOR 17-4 H1150 SHAFT	STAINLESS MOTORS INC.	
UNLESS OTHERWISE SPECIFIED	FINISH: #4 LINE POLISHED SHROUD		
DIMENSIONS ARE IN INCHES	GENERAL TOLERANCES:	DRAWN MFG	56C FRAME C FACE MOUNT TENV, THRU FOOT
DIMENSIONS AND SURFACE TEXTURE DESIGNATIONS APPLY PRIOR TO FINISH	.X = ±.015 .XX = ±.010 .XXX = ±.005	CHECK	
DEBURR AND BREAK ALL SHARP EDGES .005-.015	FRACTIONAL = ±1/64 ANGULAR = ±1/2°	ENG. JO	
REFERENCE DRAWING:	DATE 07/05/05	DATE	
DRWG. NO. F:\DRAFTING\MOTORS\STANDARDIZED DRAWINGS\PHARM\56\56C-TENV			