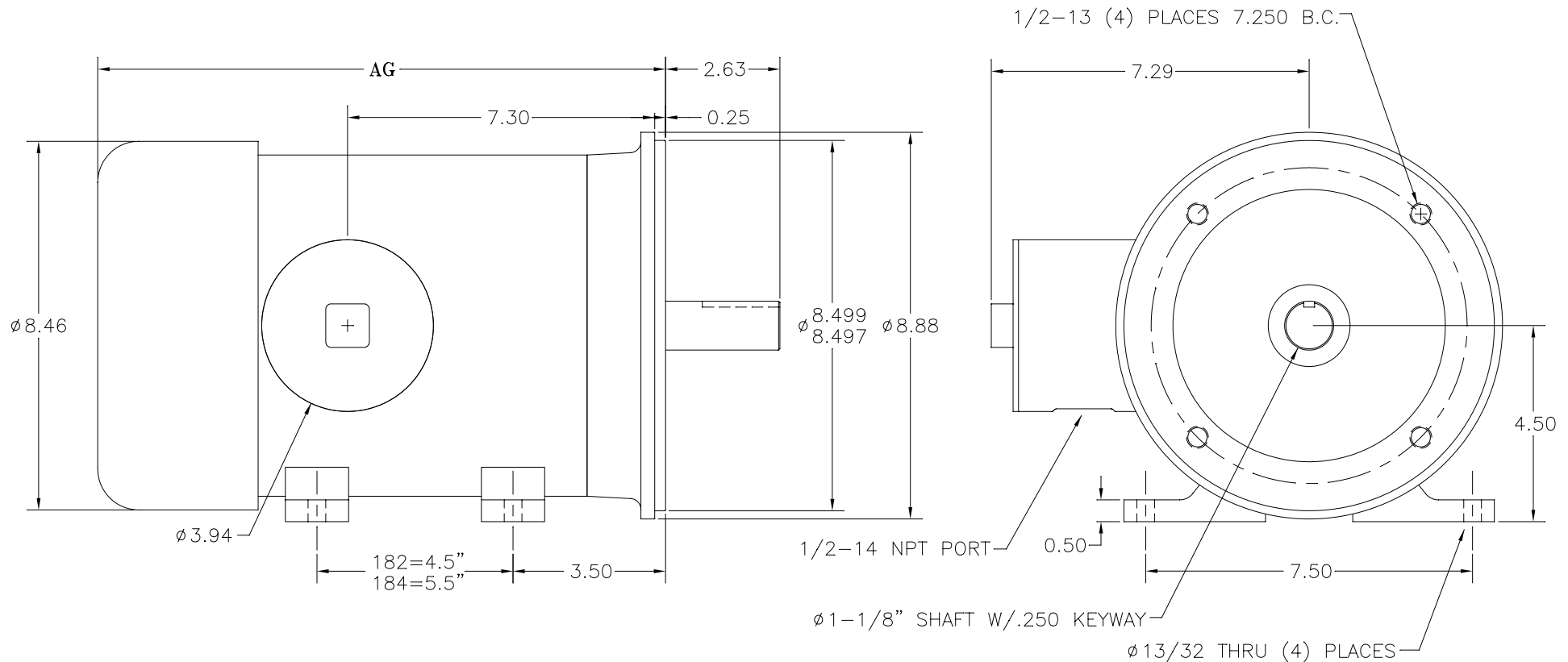


AG DIM.				
	2 POLE	4 POLE	6 POLE	8 POLE
1 HP				15.03
1.5 HP				15.03
2 HP		13.03	15.03	
3 HP	13.03	13.03		
5 HP	15.03	15.03		

REVISIONS			
REV	DESCRIPTION	BY	DATE



3. ALLOW 1" CLEARANCE BEYOND FAN SHROUD FOR AIR FLOW.
2. FOOTLESS DIMS SAME
1. THROUGH HOLE FOOT SHOWN, BLIND TAPPED FOOT AVAILABLE WITH 3/8-16 X .450 DP.

NOTES:

DO NOT SCALE DRAWING	MATERIAL: T304 EXTERIOR 17-4 H1150 SHAFT	STAINLESS MOTORS INC.
UNLESS OTHERWISE SPECIFIED	FINISH: #4 LINE POLISHED SHROUD	
DIMENSIONS ARE IN INCHES	GENERAL TOLERANCES: .X = ±.015 .XX = ±.010 .XXX = ±.005	DRAWN GP
DIMENSIONS AND SURFACE TEXTURE DESIGNATIONS APPLY PRIOR TO FINISH	FRACTIONAL = ±1/64 ANGULAR = ±1/2°	CHECK
DEBURR AND BREAK ALL SHARP EDGES .005-.015	REFERENCE DRAWING:	ENG. JO
	DRWG. NO. DRAFTING\MOTORS\STANDARDIZED DRAWINGS\PHARM\180\180TC	DATE 4/21/03
		180TC FRAME C FACE MOUNT TEFC, THRU FOOT