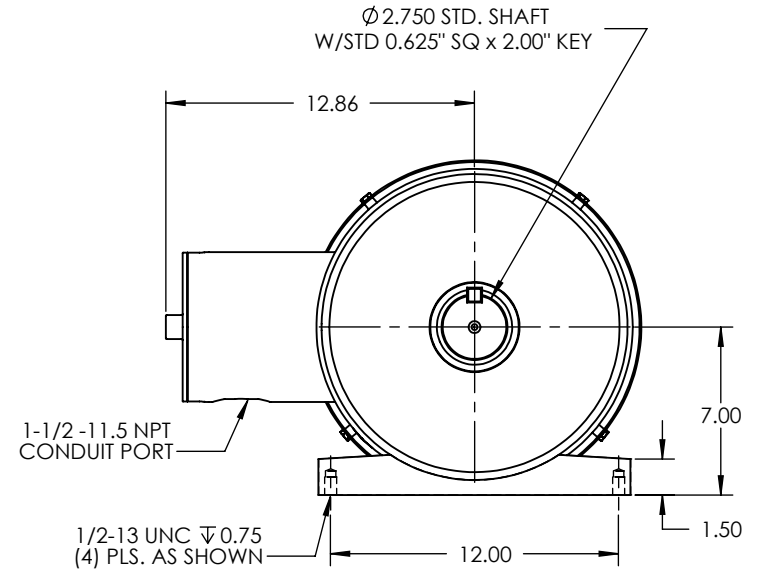
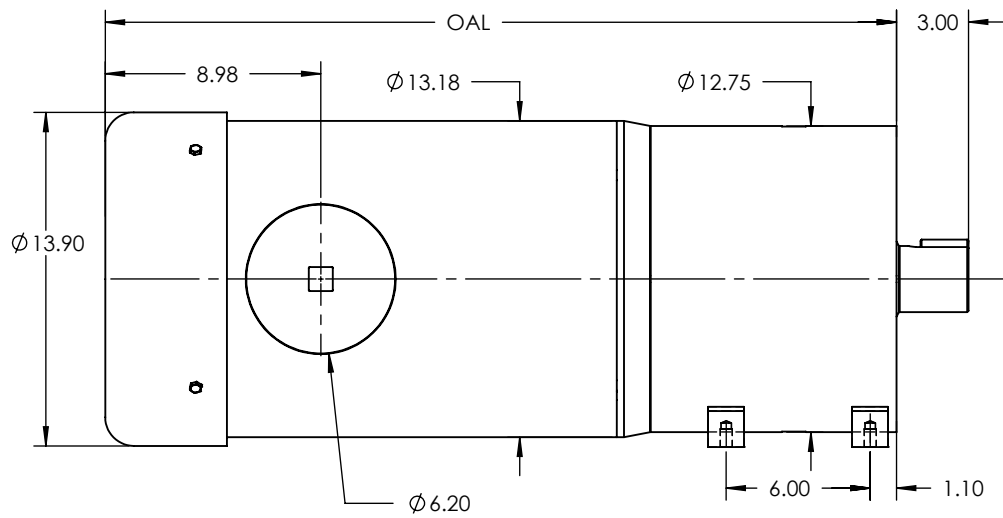


OAL DIMENSION			
RATIO	OUTPUT RPM	25 HP	30 HP
3	580	32.97"	33.97"
3.67	474		
4.2	414		
5	348		
9	193	36.27"	37.27"
12.6	138		
15	116		
17.6	98		
21	82		
25	69		

REVISIONS			
REV.	DESCRIPTION	BY	DATE



1. OTHER SHAFT SIZES AVAILABLE
2. GREASE OR OIL LUBRICATION AVAILABLE
3. OTHER RATIOS AVAILABLE UPON REQUEST

THIS DRAWING CONTAINS INFORMATION WHICH IS PROPRIETARY AND CONFIDENTIAL TO STAINLESS MOTORS, INC., AND IS TRANSMITTED IN CONFIDENCE. THE REPRODUCTION, USE OR DISCLOSURE, IN WHOLE OR IN PART, OF THE DESIGN CONTAINED HEREIN TO OTHERS IS PROHIBITED WITHOUT THE WRITTEN CONSENT OF STAINLESS MOTORS, INC.

© COPYRIGHT STAINLESS MOTORS, INC. ALL RIGHTS RESERVED. YEAR OF COPYRIGHT IS FIRST YEAR INDICATED ON THE DRAWING.

DO NOT SCALE DRAWING	MATERIAL: T304 EXTERIOR 17-4 H1150 SHAFT
UNLESS OTHERWISE SPECIFIED	FINISH: #4 LINE
DIMENSIONS ARE IN INCHES	GENERAL TOLERANCES:
DIMENSIONS AND SURFACE TEXTURE DESIGNATIONS APPLY PRIOR TO FINISH	.X = +/-0.015
DEBURR AND BREAK ALL SHARP EDGES 0.005 - 0.015	.XX = +/-0.010
	.XXX = +/-0.005
	FRACTIONAL = +/- 1/64
	ANGULAR = +/- 1/2°

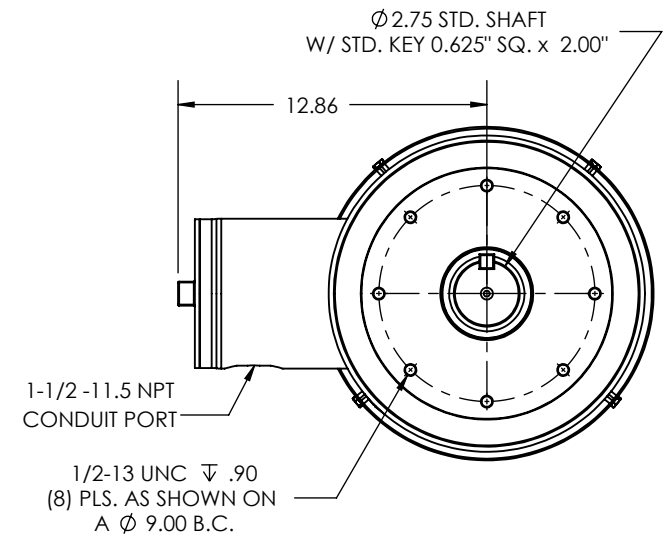
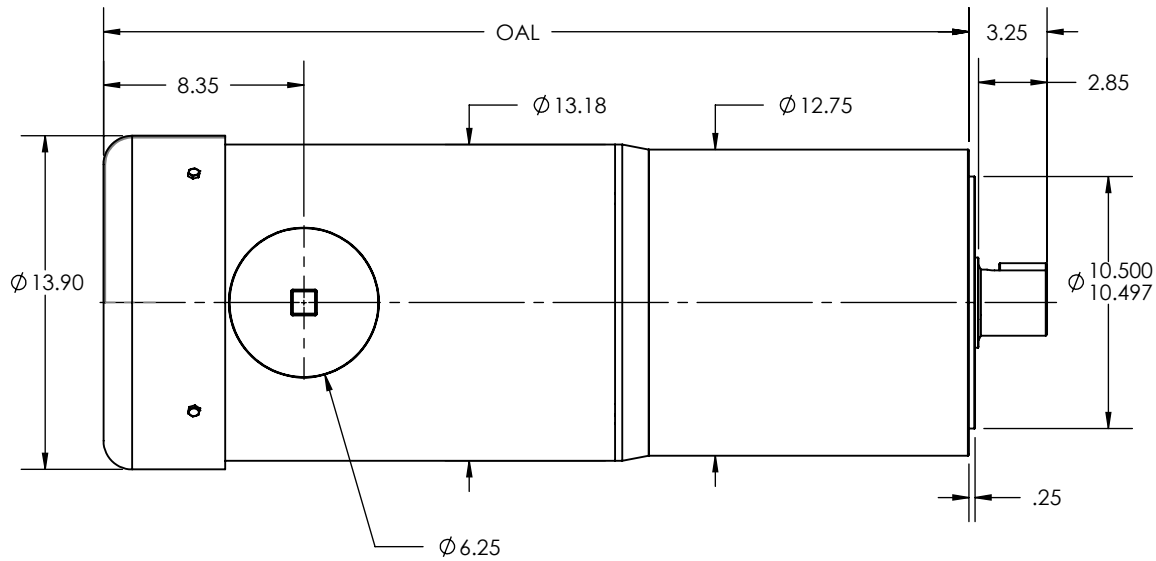
STAINLESS MOTORS INC.	
DRAWN: WJK	IL1275 FRAME FOOT MOUNT TEFC, BLIND FOOTED SANIFAN
CHECK:	
ENG: JO	
DATE: 1/28/2019	

NOTES:

REFERENCE DRAWING: F:\Website\GEARBOXES\IL\IL1275XXXBEXX NUMBER:

OAL DIMENSION			
RATIO	OUTPUT RPM	25 HP	30 HP
3	580	32.76	33.76
3.67	474		
4.2	414		
5	348		
9	193	36.06	37.06
12.6	138		
15	116		
17.6	98		
21	82		
25	69		

REVISIONS			
REV.	DESCRIPTION	BY	DATE



- OTHER SHAFT SIZES AVAILABLE
- GREASE OR OIL LUBRICATION AVAILABLE
- OTHER RATIOS AVAILABLE UPON REQUEST

THIS DRAWING CONTAINS INFORMATION WHICH IS PROPRIETARY AND CONFIDENTIAL TO STAINLESS MOTORS, INC., AND IS TRANSMITTED IN CONFIDENCE. THE REPRODUCTION, USE OR DISCLOSURE, IN WHOLE OR IN PART, OF THE DESIGN CONTAINED HEREIN TO OTHERS IS PROHIBITED WITHOUT THE WRITTEN CONSENT OF STAINLESS MOTORS, INC.

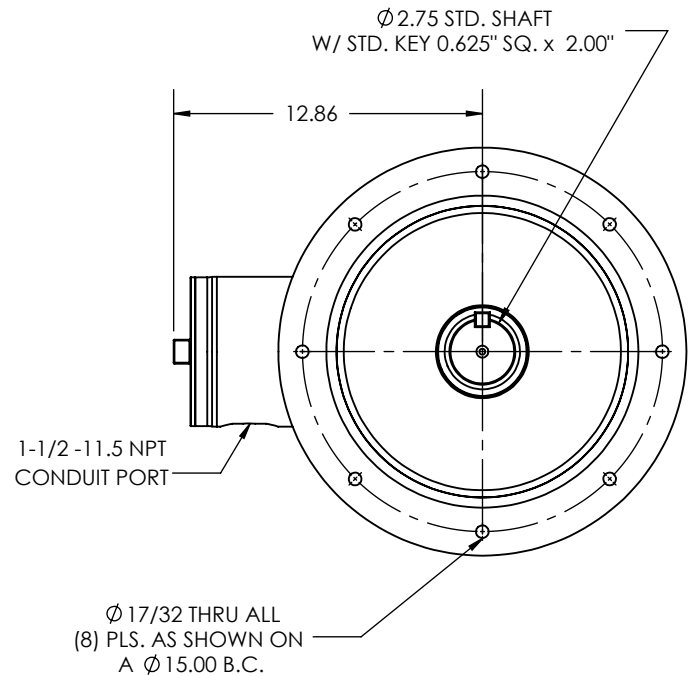
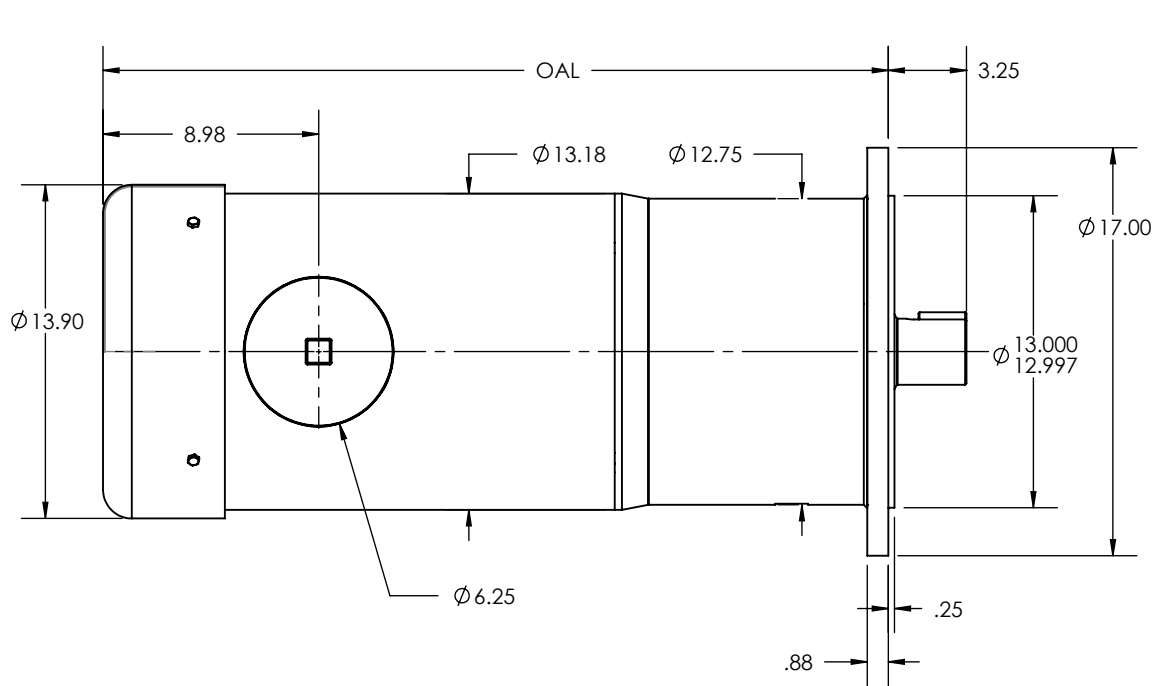
© COPYRIGHT STAINLESS MOTORS, INC. ALL RIGHTS RESERVED. YEAR OF COPYRIGHT IS FIRST YEAR INDICATED ON THE DRAWING.

DO NOT SCALE DRAWING	MATERIAL: T304 EXTERIOR 17-4 H1150 SHAFT	STAINLESS MOTORS INC.	
UNLESS OTHERWISE SPECIFIED	FINISH: #4 LINE		
DIMENSIONS ARE IN INCHES DIMENSIONS AND SURFACE TEXTURE DESIGNATIONS APPLY PRIOR TO FINISH	GENERAL TOLERANCES: .X = +/- 0.015 .XX = +/- 0.010 .XXX = +/- 0.005	DRAWN: BDJ	IL1275 FRAME C-FACE MOUNT TEFC, NON FOOTED SANIFAN
DEBURR AND BREAK ALL SHARP EDGES 0.005 - 0.015	FRACTIONAL = +/- 1/64 ANGULAR = +/- 1/2°	CHECK: JO	
REFERENCE DRAWING: DRAWING NUMBER: F:\Website\IMOTOR DRAWINGS\GEARMOTORS\IL1275\IL1275XXXXFXXX		ENG: JO	
		DATE: 3/17/2015	

NOTES:

OAL DIMENSION			
RATIO	OUTPUT RPM	25 HP	30 HP
3	580	32.72	33.72
3.67	474		
4.2	414		
5	348		
9	193	36.02	37.02
12.6	138		
15	116		
17.6	98		
21	82		
25	69		

REVISIONS			
REV.	DESCRIPTION	BY	DATE



- OTHER SHAFT SIZES AVAILABLE
- GREASE OR OIL LUBRICATION AVAILABLE
- OTHER RATIOS AVAILABLE UPON REQUEST

THIS DRAWING CONTAINS INFORMATION WHICH IS PROPRIETARY AND CONFIDENTIAL TO STAINLESS MOTORS, INC., AND IS TRANSMITTED IN CONFIDENCE. THE REPRODUCTION, USE OR DISCLOSURE, IN WHOLE OR IN PART, OF THE DESIGN CONTAINED HEREIN TO OTHERS IS PROHIBITED WITHOUT THE WRITTEN CONSENT OF STAINLESS MOTORS, INC.

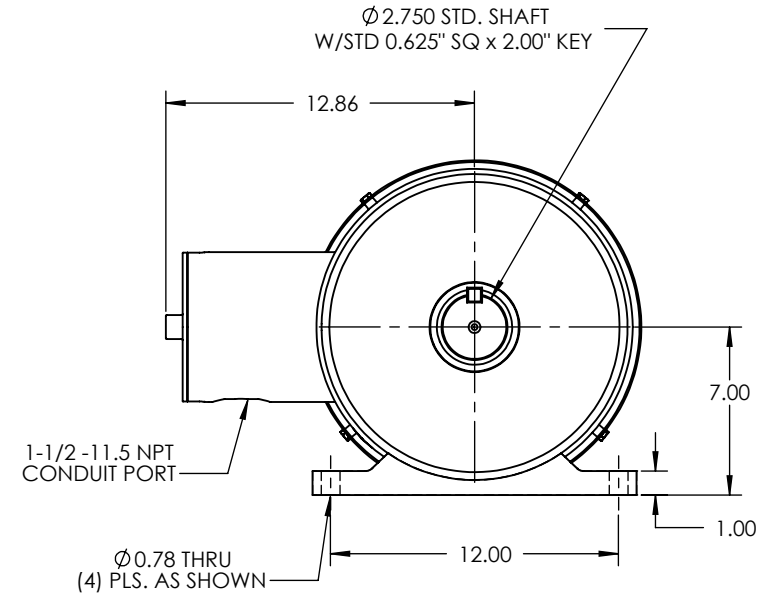
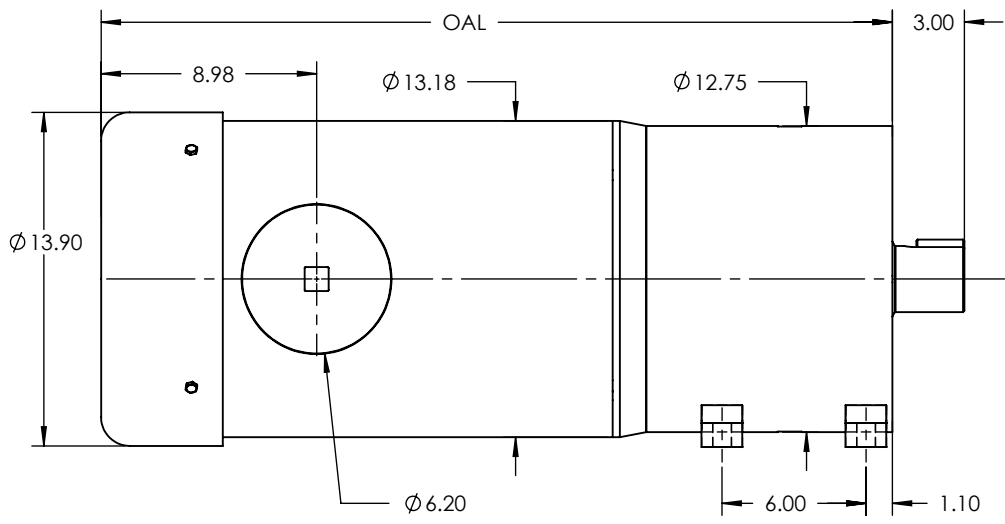
© COPYRIGHT STAINLESS MOTORS, INC. ALL RIGHTS RESERVED. YEAR OF COPYRIGHT IS FIRST YEAR INDICATED ON THE DRAWING.

DO NOT SCALE DRAWING	MATERIAL: T304 EXTERIOR 17-4 H1150 SHAFT	STAINLESS MOTORS INC.
UNLESS OTHERWISE SPECIFIED	FINISH: #4 LINE	
DIMENSIONS ARE IN INCHES DIMENSIONS AND SURFACE TEXTURE DESIGNATIONS APPLY PRIOR TO FINISH	GENERAL TOLERANCES: .X = +/-0.015 .XX = +/-0.010 .XXX = +/-0.005	DRAWN: BDJ
DEBURR AND BREAK ALL SHARP EDGES 0.005 - 0.015	FRACTIONAL = +/- 1/64 ANGULAR = +/- 1/2°	CHECK: JO
REFERENCE DRAWING: F:\Website\GEARBOXES\IL\IL1275XXXNXXXX		DATE: 3/17/2015
		IL1275 FRAME D-FLANGE MOUNT TEFC, NON FOOTED SANIFAN

NOTES:

OAL DIMENSION			
RATIO	OUTPUT RPM	25 HP	30 HP
3	580	32.97"	33.97"
3.67	474		
4.2	414		
5	348		
9	193	36.27"	37.27"
12.6	138		
15	116		
17.6	98		
21	82		
25	69		

REVISIONS			
REV.	DESCRIPTION	BY	DATE



- OTHER SHAFT SIZES AVAILABLE
- GREASE OR OIL LUBRICATION AVAILABLE
- OTHER RATIOS AVAILABLE UPON REQUEST

THIS DRAWING CONTAINS INFORMATION WHICH IS PROPRIETARY AND CONFIDENTIAL TO STAINLESS MOTORS, INC., AND IS TRANSMITTED IN CONFIDENCE. THE REPRODUCTION, USE OR DISCLOSURE, IN WHOLE OR IN PART, OF THE DESIGN CONTAINED HEREIN TO OTHERS IS PROHIBITED WITHOUT THE WRITTEN CONSENT OF STAINLESS MOTORS, INC.

© COPYRIGHT STAINLESS MOTORS, INC. ALL RIGHTS RESERVED. YEAR OF COPYRIGHT IS FIRST YEAR INDICATED ON THE DRAWING.

DO NOT SCALE DRAWING	MATERIAL: T304 EXTERIOR 17-4 H1150 SHAFT
UNLESS OTHERWISE SPECIFIED	FINISH: #4 LINE
DIMENSIONS ARE IN INCHES	GENERAL TOLERANCES:
DIMENSIONS AND SURFACE TEXTURE DESIGNATIONS APPLY PRIOR TO FINISH	.X = +/- 0.015
DEBURR AND BREAK ALL SHARP EDGES 0.005 - 0.015	.XX = +/- 0.010
	.XXX = +/- 0.005
	FRACTIONAL = +/- 1/64
	ANGULAR = +/- 1/2°

STAINLESS MOTORS INC.

DRAWN: WJK
 CHECK: JO
 ENG: JO
 DATE: 1/28/2019

IL1275 FRAME
 FOOT MOUNT
 TEFC, THRU FOOTED
 SANIFAN

NOTES: