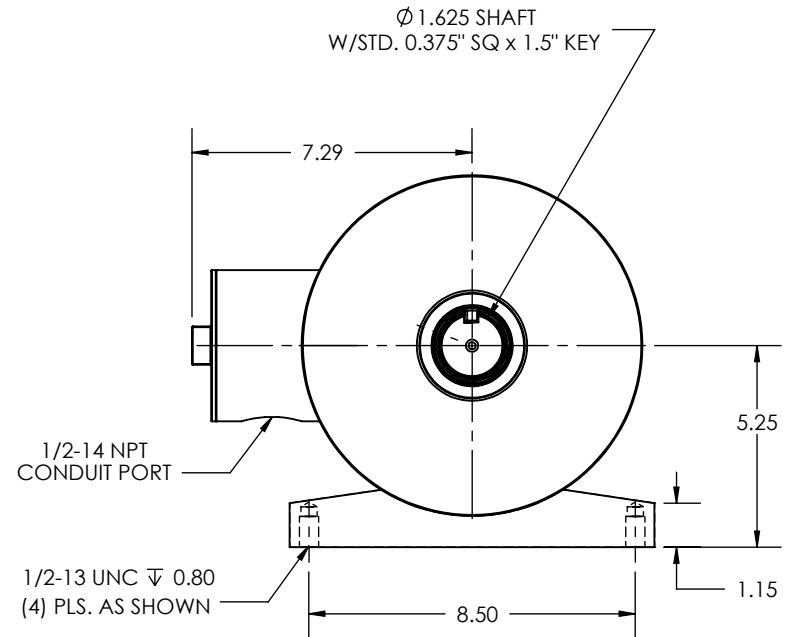
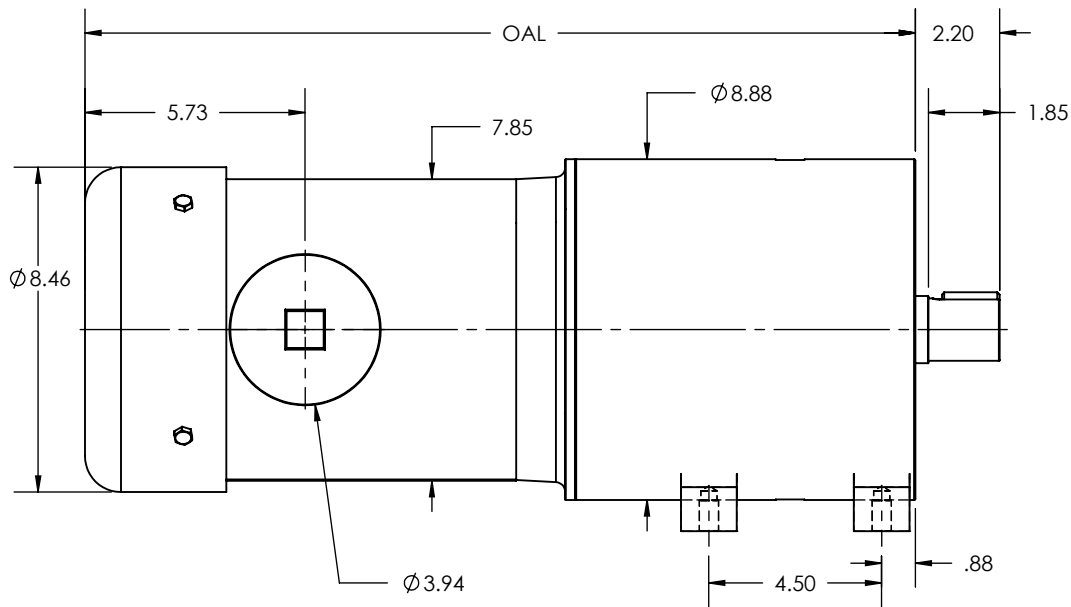


OAL DIMENSION					
RATIO	OUTPUT RPM	1.5HP	2HP	3HP	5HP
3	580	----	----	----	23.62"
3.67	474	----	----	----	23.62"
4.2	414	----	----	----	23.62"
5	348	----	----	----	23.62"
9	193	----	----	----	23.62"
12.6	138	----	----	22.07"	23.62"
15	116	----	----	22.07"	23.62"
17.6	98	----	----	22.07"	23.62"
21	82	----	21.37"	22.07"	23.62"
25	69	20.07"	21.37"	22.07"	23.62"

REVISIONS			
REV.	DESCRIPTION	BY	DATE



- OTHER SHAFT SIZES AVAILABLE
- GREASE OR OIL LUBRICATION AVAILABLE
- OTHER RATIOS AVAILABLE UPON REQUEST

THIS DRAWING CONTAINS INFORMATION WHICH IS PROPRIETARY AND CONFIDENTIAL TO STAINLESS MOTORS, INC. AND IS TRANSMITTED IN CONFIDENCE. THE REPRODUCTION, USE OR DISCLOSURE, IN WHOLE OR IN PART, OF THE DESIGN CONTAINED HEREIN TO OTHERS IS PROHIBITED WITHOUT THE WRITTEN CONSENT OF STAINLESS MOTORS, INC.

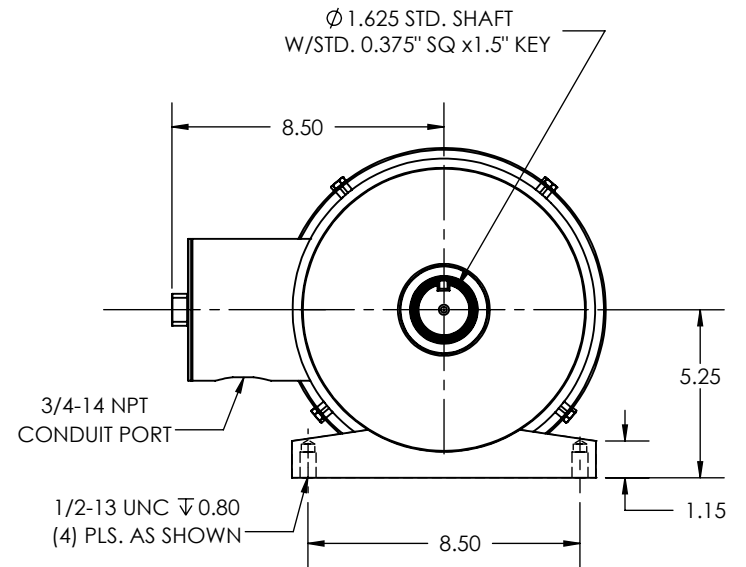
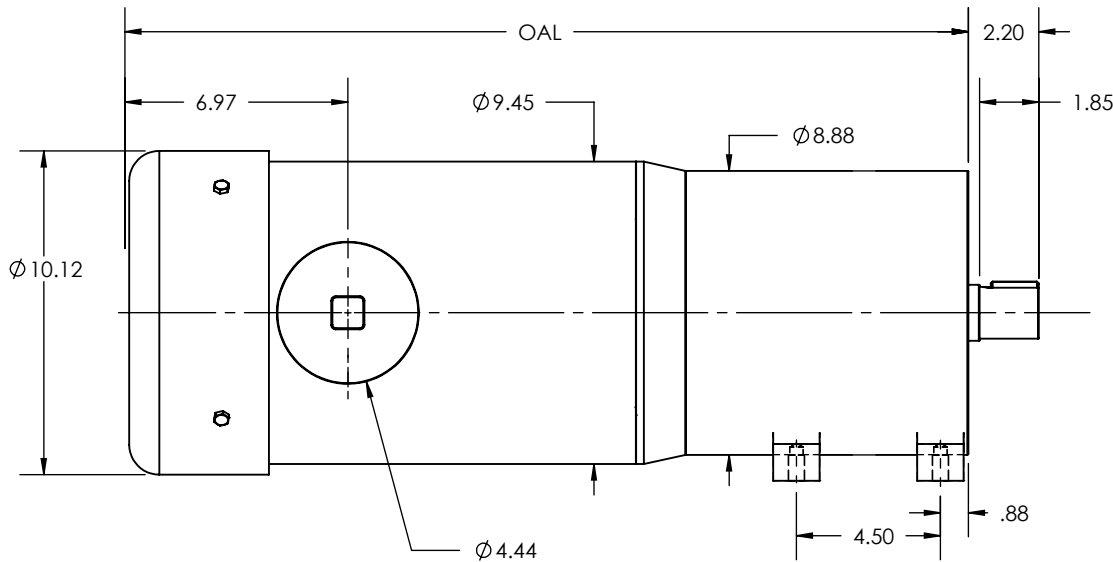
© COPYRIGHT STAINLESS MOTORS, INC. ALL RIGHTS RESERVED. YEAR OF COPYRIGHT IS FIRST YEAR INDICATED ON THE DRAWING.

DO NOT SCALE DRAWING	MATERIAL: T304 EXTERIOR 17-4 H1150 SHAFT	<b>STAINLESS MOTORS INC.</b>
UNLESS OTHERWISE SPECIFIED	FINISH: <b>#4 LINE</b>	
DIMENSIONS ARE IN INCHES DIMENSIONS AND SURFACE TEXTURE DESIGNATIONS APPLY PRIOR TO FINISH	GENERAL TOLERANCES: .X = +/- 0.015 .XX = +/- 0.010 .XXX = +/- 0.005	DRAWN: WJK CHECK: JO ENG: JO DATE: 1/28/2019
DEBURR AND BREAK ALL SHARP EDGES 0.005 - 0.015	FRACTIONAL = +/- 1/64 ANGULAR = +/- 1/2°	IL880 FRAME FOOT MOUNT TEFC, BLIND FOOTED SANIFAN
REFERENCE DRAWING: NUMBER: F:\Website\GEARBOXES\IL\IL880XXXBCXXX-180		

NOTES:

OAL DIMENSION		
RATIO	OUTPUT RPM	7.5 - 10 HP
3	580	24.67"
3.67	474	
4.2	414	
5	348	
9	193	26.22"
12.6	138	
15	116	
17.6	98	
21	82	
25	69	

REVISIONS			
REV.	DESCRIPTION	BY	DATE



- NOTES:
- OTHER SHAFT SIZES AVAILABLE
  - GREASE OR OIL LUBRICATION AVAILABLE
  - OTHER RATIOS AVAILABLE UPON REQUEST

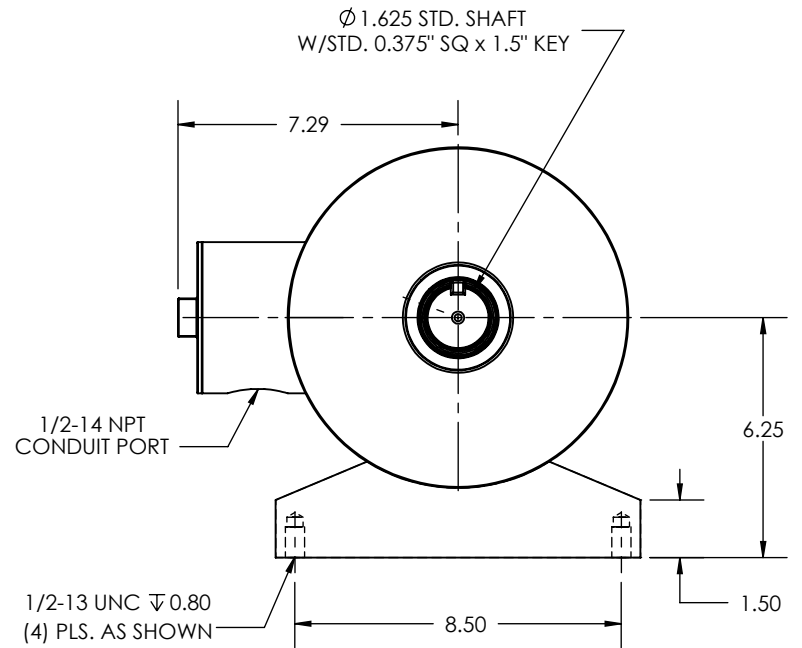
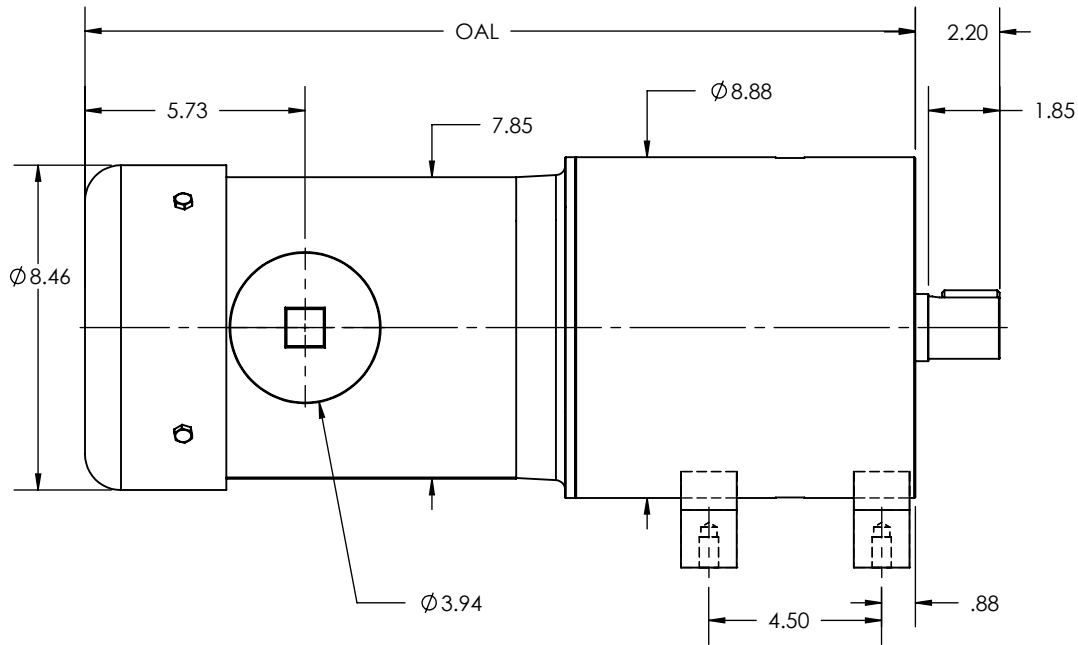
THIS DRAWING CONTAINS INFORMATION WHICH IS PROPRIETARY AND CONFIDENTIAL TO STAINLESS MOTORS, INC., AND IS TRANSMITTED IN CONFIDENCE. THE REPRODUCTION, USE OR DISCLOSURE, IN WHOLE OR IN PART, OF THE DESIGN CONTAINED HEREIN TO OTHERS IS PROHIBITED WITHOUT THE WRITTEN CONSENT OF STAINLESS MOTORS, INC.

© COPYRIGHT STAINLESS MOTORS, INC. ALL RIGHTS RESERVED. YEAR OF COPYRIGHT IS FIRST YEAR INDICATED ON THE DRAWING.

DO NOT SCALE DRAWING	MATERIAL: T304 EXTERIOR 17-4 H1150 SHAFT	<b>STAINLESS MOTORS INC.</b>
UNLESS OTHERWISE SPECIFIED	FINISH: #4 LINE	
DIMENSIONS ARE IN INCHES DIMENSIONS AND SURFACE TEXTURE DESIGNATIONS APPLY PRIOR TO FINISH	GENERAL TOLERANCES: .X = +/-0.015 .XX = +/-0.010 .XXX = +/-0.005	DRAWN: WJK
DEBURR AND BREAK ALL SHARP EDGES 0.005 - 0.015	FRACTIONAL = +/- 1/64 ANGULAR = +/- 1/2°	CHECK: JJO
REFERENCE DRAWING: F:\Website\GEARBOXES\IL\IL880XXXBCXXX-210		DATE: 1/28/2019
		IL880 FRAME FOOT MOUNT TEFC, BLIND FOOTED SANIFAN

OAL DIMENSION			
RATIO	OUTPUT RPM	1.5-3 HP	5 HP
3	580	20.07"	22.07"
3.67	474		
4.2	414		
5	348		
9	193	21.62"	23.62"
12.6	138		
15	116		
17.6	98		
21	82		
25	69		

REVISIONS			
REV.	DESCRIPTION	BY	DATE



1. OTHER SHAFT SIZES AVAILABLE
2. GREASE OR OIL LUBRICATION AVAILABLE
3. OTHER RATIOS AVAILABLE UPON REQUEST

THIS DRAWING CONTAINS INFORMATION WHICH IS PROPRIETARY AND CONFIDENTIAL TO STAINLESS MOTORS, INC., AND IS TRANSMITTED IN CONFIDENCE. THE REPRODUCTION, USE OR DISCLOSURE, IN WHOLE OR IN PART, OF THE DESIGN CONTAINED HEREIN TO OTHERS IS PROHIBITED WITHOUT THE WRITTEN CONSENT OF STAINLESS MOTORS, INC.

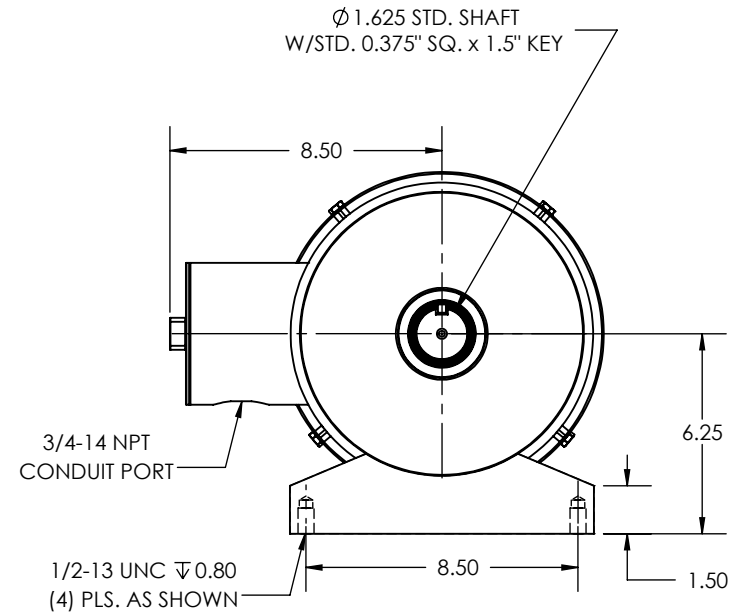
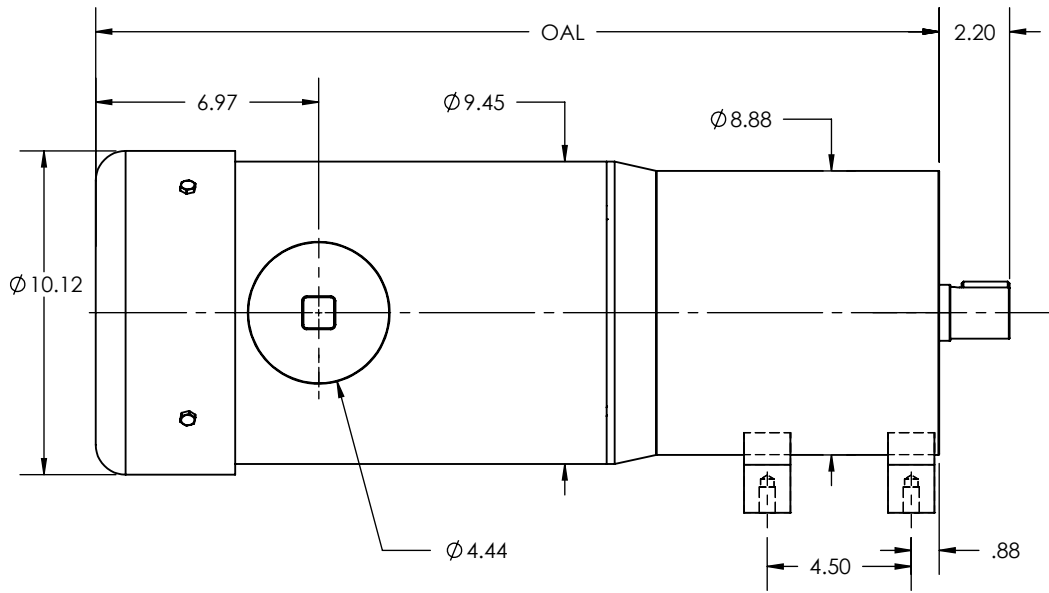
© COPYRIGHT STAINLESS MOTORS, INC. ALL RIGHTS RESERVED. YEAR OF COPYRIGHT IS FIRST YEAR INDICATED ON THE DRAWING.

DO NOT SCALE DRAWING	MATERIAL: T304 EXTERIOR 17-4 H1150 SHAFT	<b>STAINLESS MOTORS INC.</b>	
UNLESS OTHERWISE SPECIFIED	FINISH: #4 LINE		
DIMENSIONS ARE IN INCHES DIMENSIONS AND SURFACE TEXTURE DESIGNATIONS APPLY PRIOR TO FINISH	GENERAL TOLERANCES: .X = +/-0.015 .XX = +/-0.010 .XXX = +/-0.005	DRAWN: WJK	IL880 FRAME FOOT MOUNT TEFC, BLIND FOOTED SANIFAN
DEBURR AND BREAK ALL SHARP EDGES 0.005 - 0.015	FRACTIONAL = +/- 1/64 ANGULAR = +/- 1/2°	CHECK: JO	
REFERENCE DRAWING: F:\Website\GEARBOXES\IL\IL880XXXBDXXX-180		ENG: JO	
		DATE: 1/28/2019	

NOTES:

OAL DIMENSION		
RATIO	OUTPUT RPM	7.5 - 10 HP
3	580	24.67"
3.67	474	
4.2	414	
5	348	
9	193	26.22"
12.6	138	
15	116	
17.6	98	
21	82	
25	69	

REVISIONS			
REV.	DESCRIPTION	BY	DATE



- OTHER SHAFT SIZES AVAILABLE
- GREASE OR OIL LUBRICATION AVAILABLE
- OTHER RATIOS AVAILABLE UPON REQUEST

THIS DRAWING CONTAINS INFORMATION WHICH IS PROPRIETARY AND CONFIDENTIAL TO STAINLESS MOTORS, INC., AND IS TRANSMITTED IN CONFIDENCE. THE REPRODUCTION, USE OR DISCLOSURE, IN WHOLE OR IN PART, OF THE DESIGN CONTAINED HEREIN TO OTHERS IS PROHIBITED WITHOUT THE WRITTEN CONSENT OF STAINLESS MOTORS, INC.

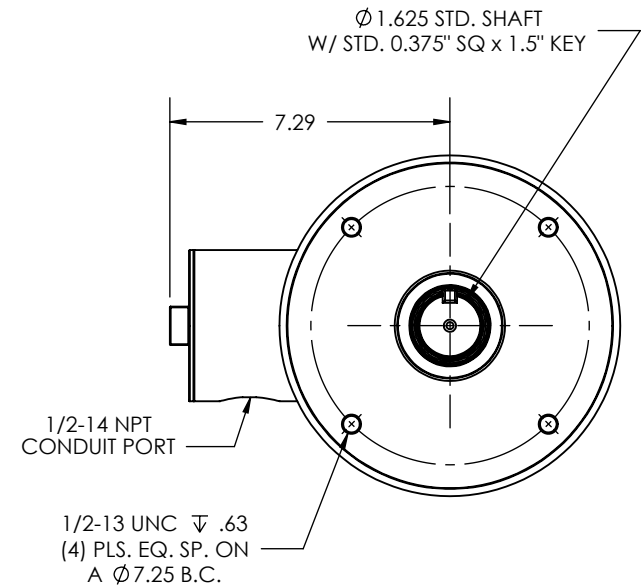
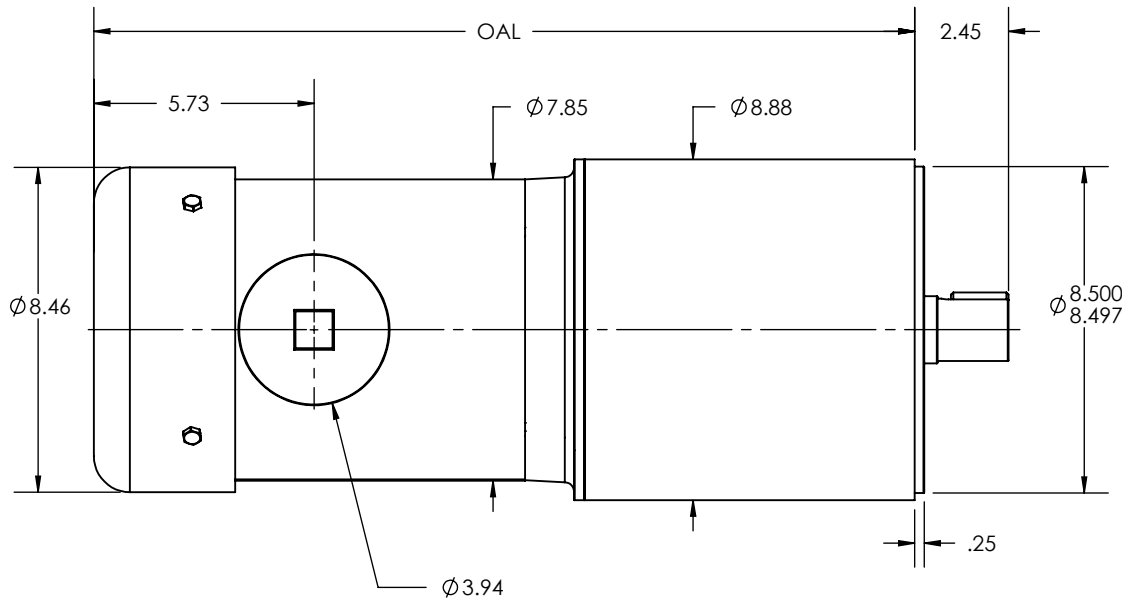
© COPYRIGHT STAINLESS MOTORS, INC. ALL RIGHTS RESERVED. YEAR OF COPYRIGHT IS FIRST YEAR INDICATED ON THE DRAWING.

DO NOT SCALE DRAWING	MATERIAL: T304 EXTERIOR 17-4 H1150 SHAFT	<b>STAINLESS MOTORS INC.</b>
UNLESS OTHERWISE SPECIFIED	FINISH: #4 LINE	
DIMENSIONS ARE IN INCHES DIMENSIONS AND SURFACE TEXTURE DESIGNATIONS APPLY PRIOR TO FINISH	GENERAL TOLERANCES: .X = +/- 0.015 .XX = +/- 0.010 .XXX = +/- 0.005	DRAWN: WJK
DEBURR AND BREAK ALL SHARP EDGES 0.005 - 0.015	FRACTIONAL = +/- 1/64 ANGULAR = +/- 1/2°	CHECK: JO
REFERENCE DRAWING: F:\Website\GEARBOXES\IL\IL880XXXBDXXX-210		DATE: 1/28/2019
		IL880 FRAME FOOT MOUNT TEFC, BLIND FOOTED SANIFAN

NOTES:

OAL DIMENSION			
RATIO	OUTPUT RPM	1.5 - 3 HP	5 HP
3	580	20.55"	22.55"
3.67	474		
4.2	414		
5	348		
9	193	21.37"	23.37"
12.6	138		
15	116		
17.6	98		
21	82		
25	69		

REVISIONS			
REV.	DESCRIPTION	BY	DATE



1. OTHER SHAFT SIZES AVAILABLE
2. GREASE OR OIL LUBRICATION AVAILABLE
3. OTHER RATIOS AVAILABLE UPON REQUEST

THIS DRAWING CONTAINS INFORMATION WHICH IS PROPRIETARY AND CONFIDENTIAL TO STAINLESS MOTORS, INC., AND IS TRANSMITTED IN CONFIDENCE. THE REPRODUCTION, USE OR DISCLOSURE, IN WHOLE OR IN PART, OF THE DESIGN CONTAINED HEREIN TO OTHERS IS PROHIBITED WITHOUT THE WRITTEN CONSENT OF STAINLESS MOTORS, INC.

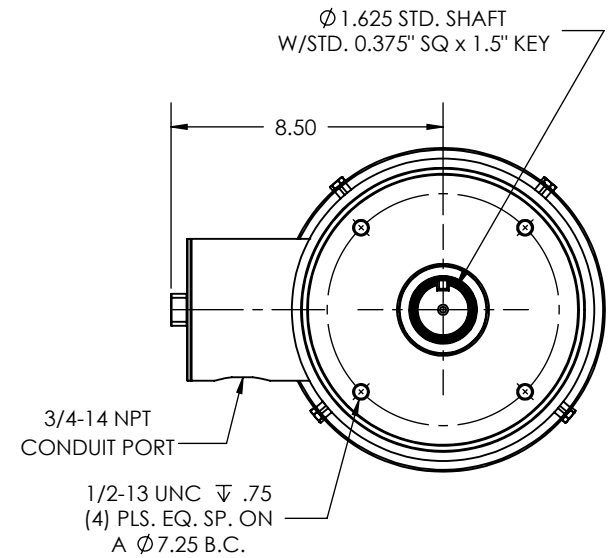
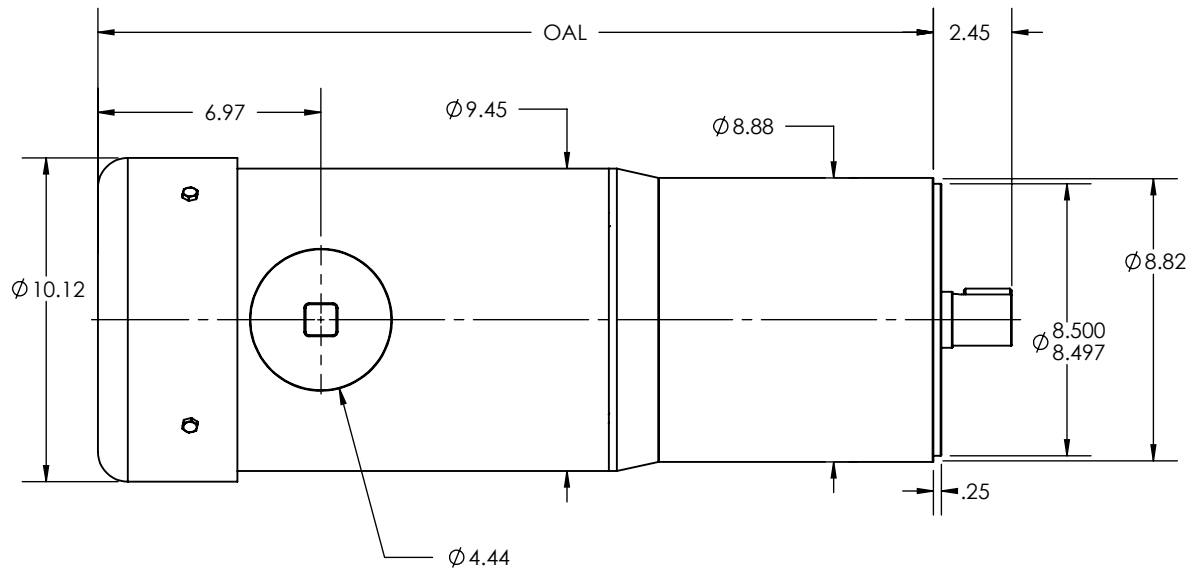
© COPYRIGHT STAINLESS MOTORS, INC. ALL RIGHTS RESERVED. YEAR OF COPYRIGHT IS FIRST YEAR INDICATED ON THE DRAWING.

DO NOT SCALE DRAWING	MATERIAL: T304 EXTERIOR 17-4 H1150 SHAFT	<b>STAINLESS MOTORS INC.</b>
UNLESS OTHERWISE SPECIFIED	FINISH: #4 LINE	
DIMENSIONS ARE IN INCHES DIMENSIONS AND SURFACE TEXTURE DESIGNATIONS APPLY PRIOR TO FINISH	GENERAL TOLERANCES: .X = +/-0.015 .XX = +/-0.010 .XXX = +/-0.005	DRAWN: WJK
DEBURR AND BREAK ALL SHARP EDGES 0.005 - 0.015	FRACTIONAL = +/- 1/64 ANGULAR = +/- 1/2°	CHECK: JO
REFERENCE DRAWING: F:\Website\GEARBOXES\IL\880XXXCCXXX-180		DATE: 1/28/2019
		IL880 FRAME C-FACE MOUNT TEFC, NON FOOTED SANIFAN

NOTES:

OAL DIMENSION		
RATIO	OUTPUT RPM	7.5 - 10 HP
3	580	24.42
3.67	474	
4.2	414	
5	348	
9	193	25.97
12.6	138	
15	116	
17.6	98	
21	82	
25	69	

REVISIONS			
REV.	DESCRIPTION	BY	DATE



- OTHER SHAFT SIZES AVAILABLE
- GREASE OR OIL LUBRICATION AVAILABLE
- OTHER RATIOS AVAILABLE UPON REQUEST

THIS DRAWING CONTAINS INFORMATION WHICH IS PROPRIETARY AND CONFIDENTIAL TO STAINLESS MOTORS, INC., AND IS TRANSMITTED IN CONFIDENCE. THE REPRODUCTION, USE OR DISCLOSURE, IN WHOLE OR IN PART, OF THE DESIGN CONTAINED HEREIN TO OTHERS IS PROHIBITED WITHOUT THE WRITTEN CONSENT OF STAINLESS MOTORS, INC.

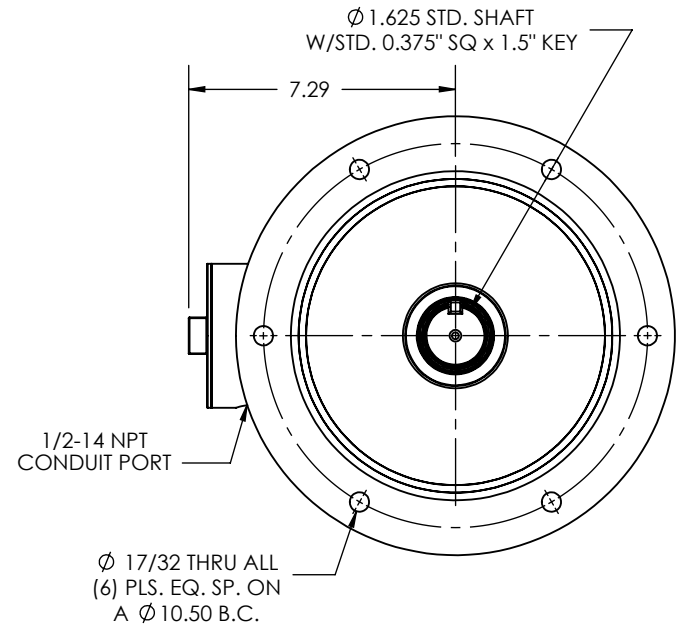
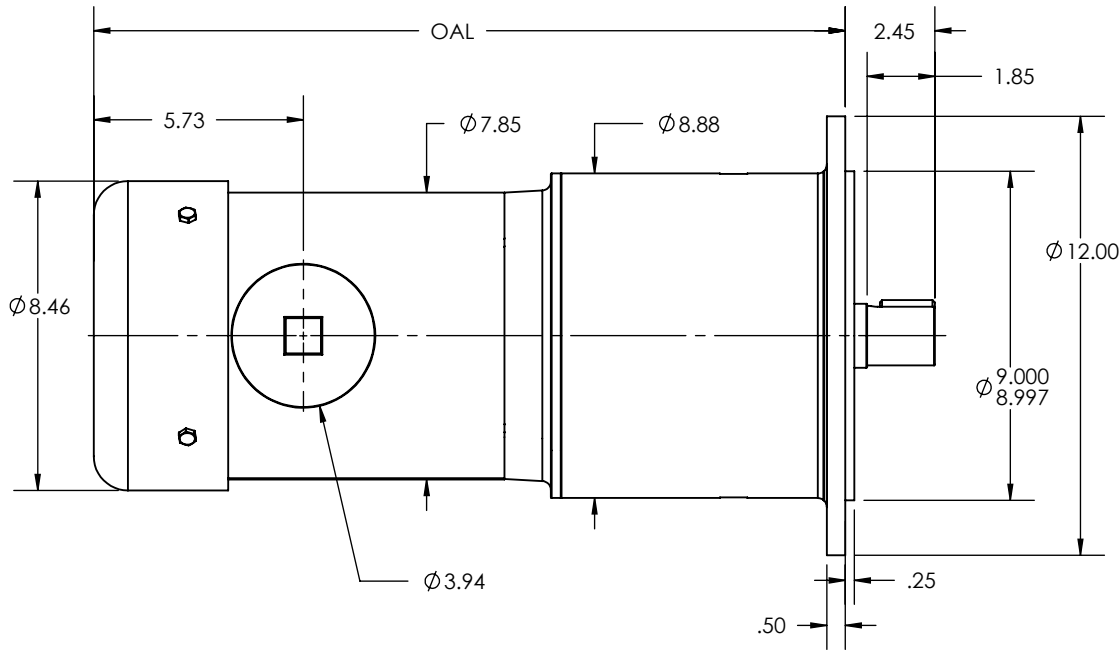
© COPYRIGHT STAINLESS MOTORS, INC. ALL RIGHTS RESERVED. YEAR OF COPYRIGHT IS FIRST YEAR INDICATED ON THE DRAWING.

DO NOT SCALE DRAWING	MATERIAL: T304 EXTERIOR 17-4 H1150 SHAFT	<b>STAINLESS MOTORS INC.</b>
UNLESS OTHERWISE SPECIFIED	FINISH: #4 LINE	
DIMENSIONS ARE IN INCHES DIMENSIONS AND SURFACE TEXTURE DESIGNATIONS APPLY PRIOR TO FINISH	GENERAL TOLERANCES: .X = +/-0.015 .XX = +/-0.010 .XXX = +/-0.005	DRAWN: WJK
DEBURR AND BREAK ALL SHARP EDGES 0.005 - 0.015	FRACTIONAL = +/- 1/64 ANGULAR = +/- 1/2°	CHECK: JO
REFERENCE DRAWING: F:\Website\GEARBOXES\IL\IL880XXXCDXXX-210		DATE: 1/28/2019
		IL880 FRAME C-FACE MOUNT TEFC, NON FOOTED SANIFAN

NOTES:

OAL DIMENSION			
RATIO	OUTPUT RPM	1.5 - 3 HP	5 HP
3	580	20.55"	22.55"
3.67	474		
4.2	414		
5	348		
9	193	21.37"	23.37"
12.6	138		
15	116		
17.6	98		
21	82		
25	69		

REVISIONS			
REV.	DESCRIPTION	BY	DATE



- OTHER SHAFT SIZES AVAILABLE
- GREASE OR OIL LUBRICATION AVAILABLE
- OTHER RATIOS AVAILABLE UPON REQUEST

THIS DRAWING CONTAINS INFORMATION WHICH IS PROPRIETARY AND CONFIDENTIAL TO STAINLESS MOTORS, INC., AND IS TRANSMITTED IN CONFIDENCE. THE REPRODUCTION, USE OR DISCLOSURE, IN WHOLE OR IN PART, OF THE DESIGN CONTAINED HEREIN TO OTHERS IS PROHIBITED WITHOUT THE WRITTEN CONSENT OF STAINLESS MOTORS, INC.

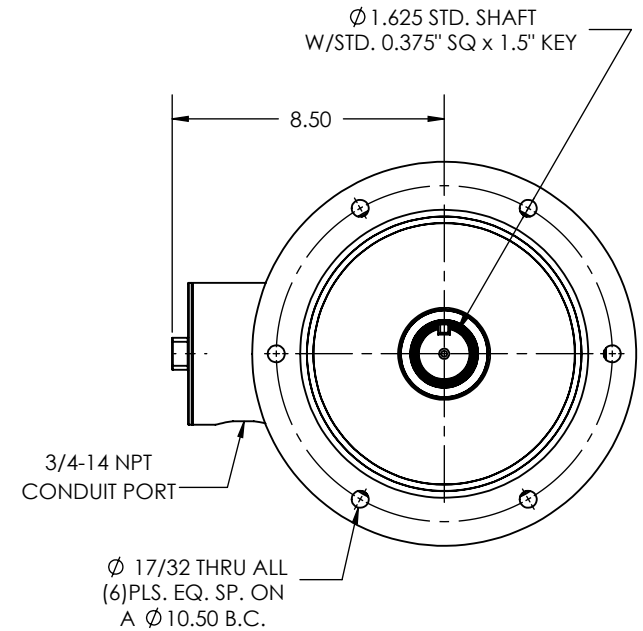
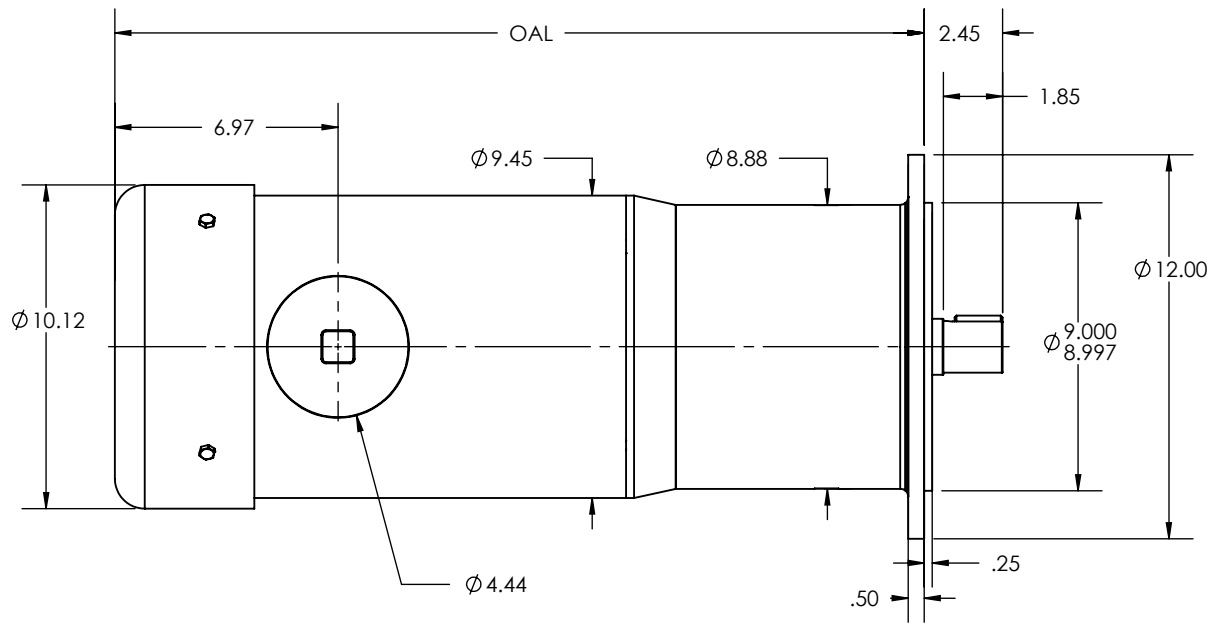
© COPYRIGHT STAINLESS MOTORS, INC. ALL RIGHTS RESERVED. YEAR OF COPYRIGHT IS FIRST YEAR INDICATED ON THE DRAWING.

DO NOT SCALE DRAWING	MATERIAL: T304 EXTERIOR 17-4 H1150 SHAFT	<b>STAINLESS MOTORS INC.</b>
UNLESS OTHERWISE SPECIFIED	FINISH: #4 LINE	
DIMENSIONS ARE IN INCHES DIMENSIONS AND SURFACE TEXTURE DESIGNATIONS APPLY PRIOR TO FINISH	GENERAL TOLERANCES: .X = +/- 0.015 .XX = +/- 0.010 .XXX = +/- 0.005	DRAWN: WJK
DEBURR AND BREAK ALL SHARP EDGES 0.005 - 0.015	FRACTIONAL = +/- 1/64 ANGULAR = +/- 1/2°	CHECK: JO
REFERENCE DRAWING: F:\Website\GEARBOXES\IL\IL880XXXNXXXX-180		DATE: 1/28/2019
		IL880 FRAME D-FLANGE MOUNT TEFC, NON FOOTED SANIFAN

NOTES:

OAL DIMENSION		
RATIO	OUTPUT RPM	7.5 - 10 HP
3	580	25.15"
3.67	474	
4.2	414	
5	348	
9	193	26.70"
12.6	138	
15	116	
17.6	98	
21	82	
25	69	

REVISIONS			
REV.	DESCRIPTION	BY	DATE



- OTHER SHAFT SIZES AVAILABLE
- GREASE OR OIL LUBRICATION AVAILABLE
- OTHER RATIOS AVAILABLE UPON REQUEST

THIS DRAWING CONTAINS INFORMATION WHICH IS PROPRIETARY AND CONFIDENTIAL TO STAINLESS MOTORS, INC., AND IS TRANSMITTED IN CONFIDENCE. THE REPRODUCTION, USE OR DISCLOSURE, IN WHOLE OR IN PART, OF THE DESIGN CONTAINED HEREIN TO OTHERS IS PROHIBITED WITHOUT THE WRITTEN CONSENT OF STAINLESS MOTORS, INC.

© COPYRIGHT STAINLESS MOTORS, INC. ALL RIGHTS RESERVED. YEAR OF COPYRIGHT IS FIRST YEAR INDICATED ON THE DRAWING.

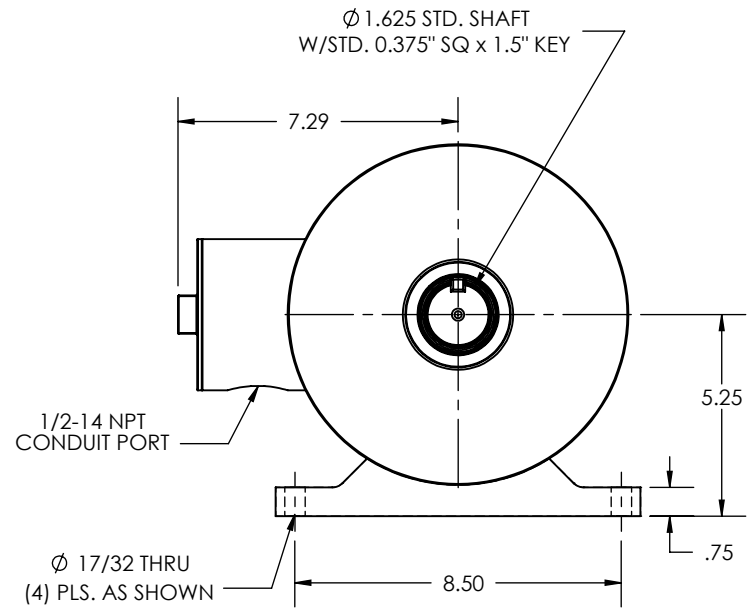
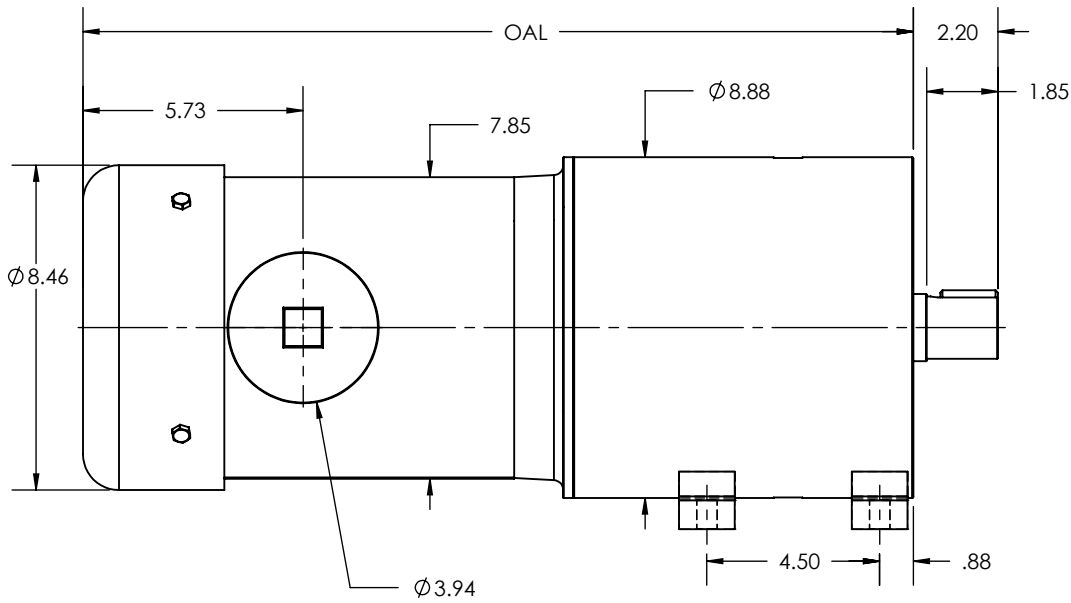
DO NOT SCALE DRAWING	MATERIAL: T304 EXTERIOR 17-4 H1150 SHAFT	<b>STAINLESS MOTORS INC.</b>
UNLESS OTHERWISE SPECIFIED	FINISH: #4 LINE	
DIMENSIONS ARE IN INCHES DIMENSIONS AND SURFACE TEXTURE DESIGNATIONS APPLY PRIOR TO FINISH	GENERAL TOLERANCES: .X = +/-0.015 .XX = +/-0.010 .XXX = +/-0.005	DRAWN: WJK CHECK: ENG: JO DATE: 1/28/2019
DEBURR AND BREAK ALL SHARP EDGES 0.005 - 0.015	FRACTIONAL = +/- 1/64 ANGULAR = +/- 1/2°	IL880 FRAME D-FLANGE MOUNT TEFC, NON FOOTED SANIFAN
REFERENCE DRAWING: NUMBER: F:\Website\GEARBOXES\IL\IL880XXXNXXXX-210		

NOTES:



OAL DIMENSION			
RATIO	OUTPUT RPM	1.5-3 HP	5 HP
3	580	20.07"	22.07"
3.67	474		
4.2	414		
5	348		
9	193		
12.6	138	21.62"	23.62"
15	116		
17.6	98		
21	82		
25	69		

REVISIONS			
REV.	DESCRIPTION	BY	DATE



1. OTHER SHAFT SIZES AVAILABLE
2. GREASE OR OIL LUBRICATION AVAILABLE
3. OTHER RATIOS AVAILABLE UPON REQUEST

THIS DRAWING CONTAINS INFORMATION WHICH IS PROPRIETARY AND CONFIDENTIAL TO STAINLESS MOTORS, INC., AND IS TRANSMITTED IN CONFIDENCE. THE REPRODUCTION, USE OR DISCLOSURE, IN WHOLE OR IN PART, OF THE DESIGN CONTAINED HEREIN TO OTHERS IS PROHIBITED WITHOUT THE WRITTEN CONSENT OF STAINLESS MOTORS, INC.

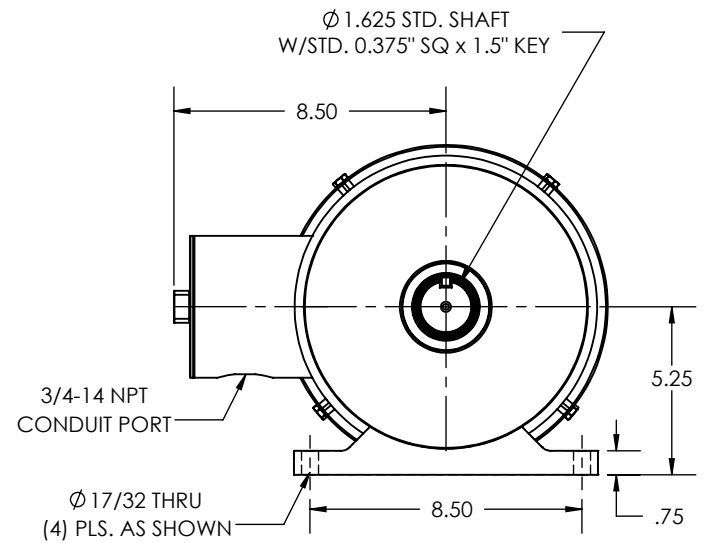
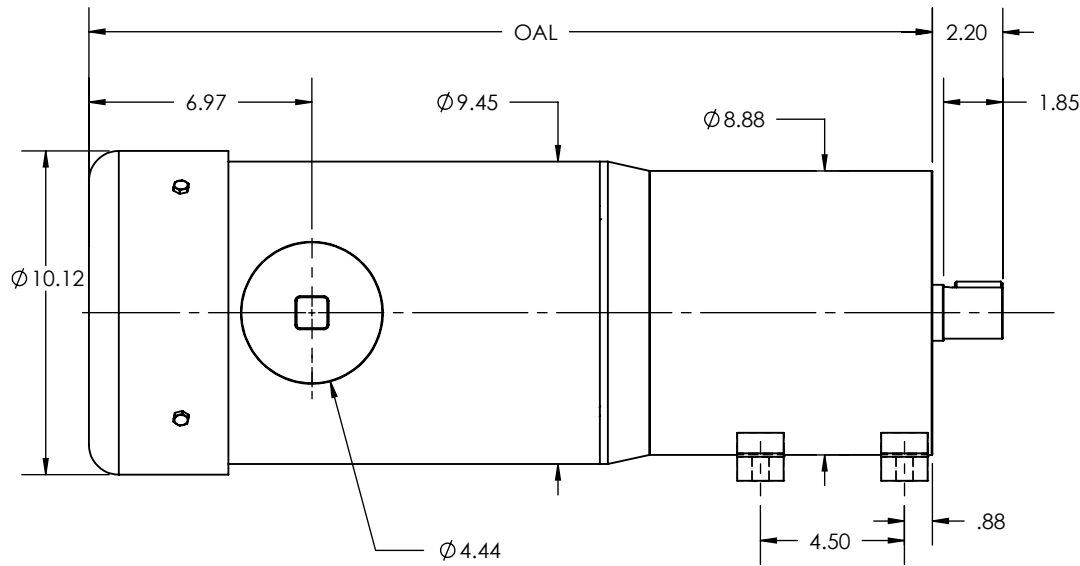
© COPYRIGHT STAINLESS MOTORS, INC. ALL RIGHTS RESERVED. YEAR OF COPYRIGHT IS FIRST YEAR INDICATED ON THE DRAWING.

DO NOT SCALE DRAWING	MATERIAL: T304 EXTERIOR 17-4 H1150 SHAFT	<b>STAINLESS MOTORS INC.</b>
UNLESS OTHERWISE SPECIFIED	FINISH: #4 LINE	
DIMENSIONS ARE IN INCHES DIMENSIONS AND SURFACE TEXTURE DESIGNATIONS APPLY PRIOR TO FINISH	GENERAL TOLERANCES: .X = +/-0.015 .XX = +/-0.010 .XXX = +/-0.005	DRAWN: WJK
DEBURR AND BREAK ALL SHARP EDGES 0.005 - 0.015	FRACTIONAL = +/- 1/64 ANGULAR = +/- 1/2°	CHECK: JO
REFERENCE DRAWING: NUMBER: F:\Website\GEARBOXES\IL\IL880XXTCXXX-180		DATE: 1/28/2019
		IL880 FRAME FOOT MOUNT TEFC, THRU FOOTED SANIFAN

NOTES:

OAL DIMENSION		
RATIO	OUTPUT RPM	7.5 - 10 HP
3	580	24.67"
3.67	474	
4.2	414	
5	348	
9	193	26.22"
12.6	138	
15	116	
17.6	98	
21	82	
25	69	

REVISIONS			
REV.	DESCRIPTION	BY	DATE



1. OTHER SHAFT SIZES AVAILABLE
2. GREASE OR OIL LUBRICATION AVAILABLE
3. OTHER RATIOS AVAILABLE UPON REQUEST

THIS DRAWING CONTAINS INFORMATION WHICH IS PROPRIETARY AND CONFIDENTIAL TO STAINLESS MOTORS, INC., AND IS TRANSMITTED IN CONFIDENCE. THE REPRODUCTION, USE OR DISCLOSURE, IN WHOLE OR IN PART, OF THE DESIGN CONTAINED HEREIN TO OTHERS IS PROHIBITED WITHOUT THE WRITTEN CONSENT OF STAINLESS MOTORS, INC.

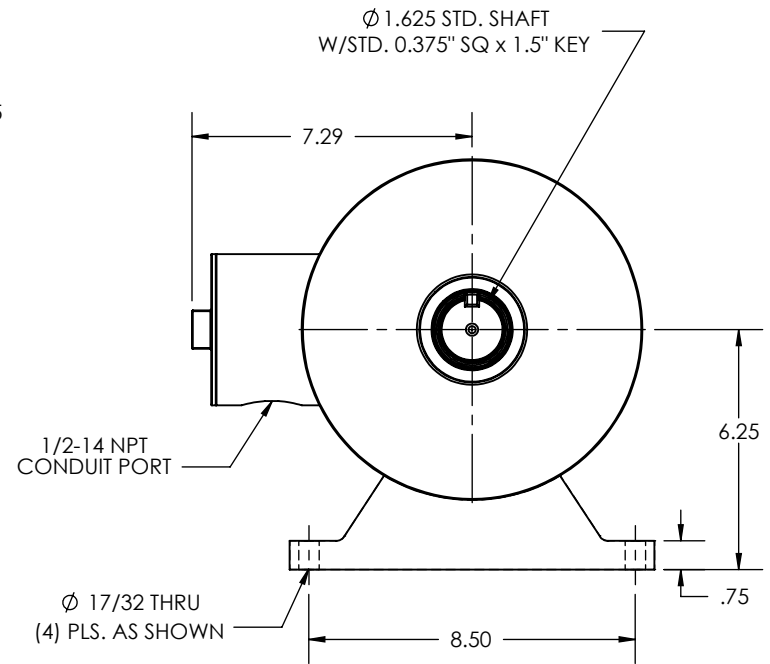
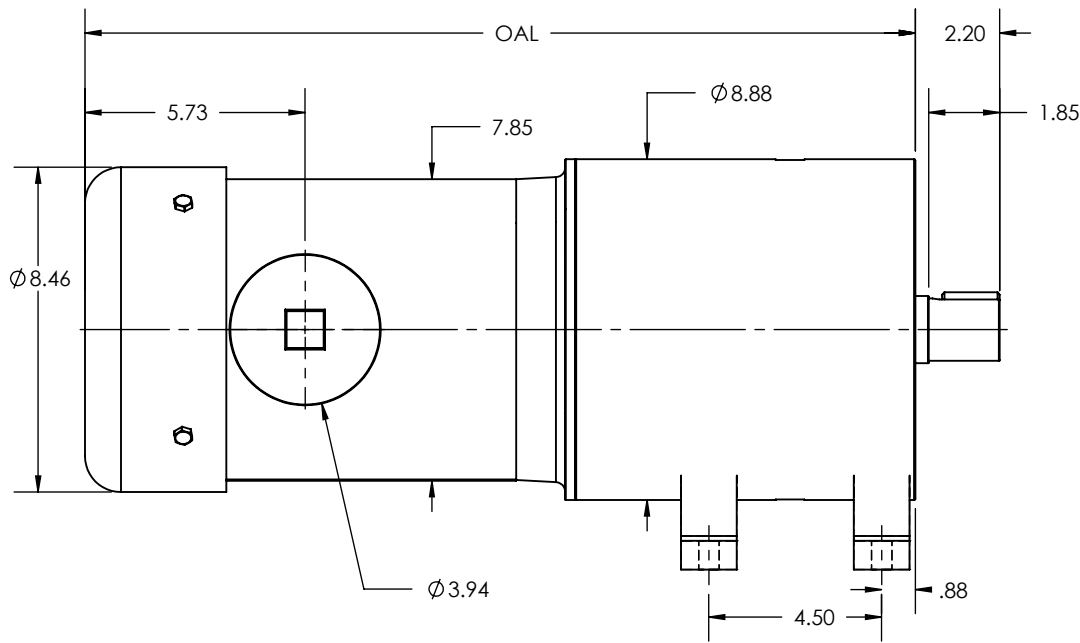
© COPYRIGHT STAINLESS MOTORS, INC. ALL RIGHTS RESERVED. YEAR OF COPYRIGHT IS FIRST YEAR INDICATED ON THE DRAWING.

DO NOT SCALE DRAWING	MATERIAL: T304 EXTERIOR 17-4 H1150 SHAFT	<b>STAINLESS MOTORS INC.</b>
UNLESS OTHERWISE SPECIFIED	FINISH: #4 LINE	
DIMENSIONS ARE IN INCHES DIMENSIONS AND SURFACE TEXTURE DESIGNATIONS APPLY PRIOR TO FINISH	GENERAL TOLERANCES: .X = +/- 0.015 .XX = +/- 0.010 .XXX = +/- 0.005	DRAWN: WJK
DEBURR AND BREAK ALL SHARP EDGES 0.005 - 0.015	FRACTIONAL = +/- 1/64 ANGULAR = +/- 1/2°	CHECK: JO
REFERENCE DRAWING: F:\Website\GEARBOXES\IL\IL880XXTCXXX-210		DATE: 1/28/2019
		IL880 FRAME FOOT MOUNT TEFC, THRU FOOTED SANIFAN

NOTES:

OAL DIMENSION			
RATIO	OUTPUT RPM	1.5 -3 HP	5 HP
3	580	20.07"	22.07"
3.67	474		
4.2	414		
5	348		
9	193	21.62"	23.62"
12.6	138		
15	116		
17.6	98		
21	82		
25	69		

REVISIONS			
REV.	DESCRIPTION	BY	DATE



- OTHER SHAFT SIZES AVAILABLE
- GREASE OR OIL LUBRICATION AVAILABLE
- OTHER RATIOS AVAILABLE UPON REQUEST

THIS DRAWING CONTAINS INFORMATION WHICH IS PROPRIETARY AND CONFIDENTIAL TO STAINLESS MOTORS, INC., AND IS TRANSMITTED IN CONFIDENCE. THE REPRODUCTION, USE OR DISCLOSURE, IN WHOLE OR IN PART, OF THE DESIGN CONTAINED HEREIN TO OTHERS IS PROHIBITED WITHOUT THE WRITTEN CONSENT OF STAINLESS MOTORS, INC.

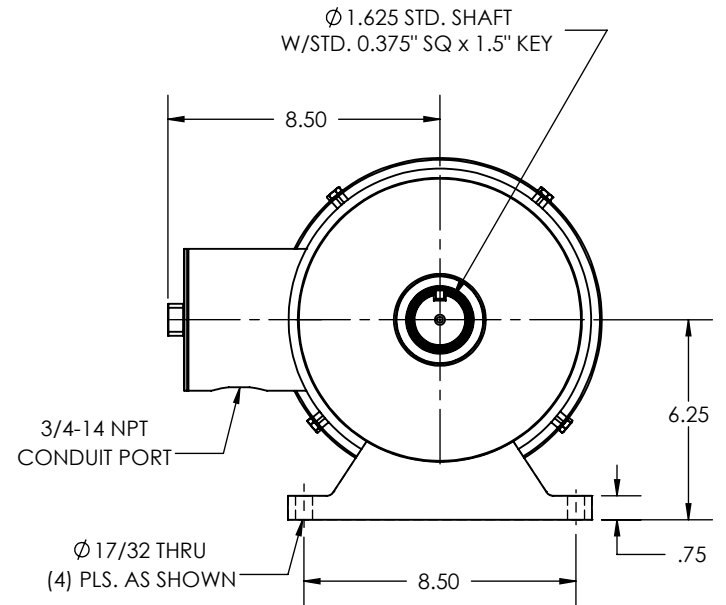
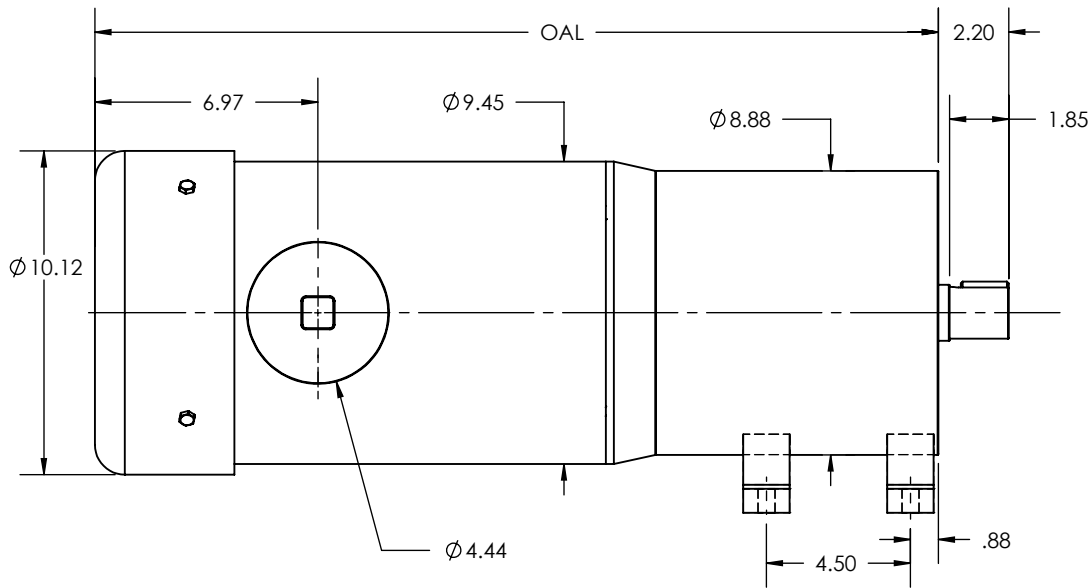
© COPYRIGHT STAINLESS MOTORS, INC. ALL RIGHTS RESERVED. YEAR OF COPYRIGHT IS FIRST YEAR INDICATED ON THE DRAWING.

DO NOT SCALE DRAWING	MATERIAL: T304 EXTERIOR 17-4 H1150 SHAFT	<b>STAINLESS MOTORS INC.</b>
UNLESS OTHERWISE SPECIFIED	FINISH: <b>#4 LINE</b>	
DIMENSIONS ARE IN INCHES DIMENSIONS AND SURFACE TEXTURE DESIGNATIONS APPLY PRIOR TO FINISH	GENERAL TOLERANCES: .X = +/-0.015 .XX = +/-0.010 .XXX = +/-0.005	DRAWN: WJK
DEBURR AND BREAK ALL SHARP EDGES 0.005 - 0.015	FRACTIONAL = +/- 1/64 ANGULAR = +/- 1/2°	CHECK: JO
REFERENCE DRAWING: DRAWING NUMBER: F:\Website\GEARBOXES\IL\IL880XXTDXXX-180		DATE: 1/28/2019
		IL880 FRAME FOOT MOUNT TEFC, THRU FOOTED SANIFAN

NOTES:

OAL DIMENSION		
RATIO	OUTPUT RPM	7.5 - 10 HP
3	580	24.67"
3.67	474	
4.2	414	
5	348	
9	193	26.22"
12.6	138	
15	116	
17.6	98	
21	82	
25	69	

REVISIONS			
REV.	DESCRIPTION	BY	DATE



1. OTHER SHAFT SIZES AVAILABLE
2. GREASE OR OIL LUBRICATION AVAILABLE
3. OTHER RATIOS AVAILABLE UPON REQUEST

THIS DRAWING CONTAINS INFORMATION WHICH IS PROPRIETARY AND CONFIDENTIAL TO STAINLESS MOTORS, INC., AND IS TRANSMITTED IN CONFIDENCE. THE REPRODUCTION, USE OR DISCLOSURE, IN WHOLE OR IN PART, OF THE DESIGN CONTAINED HEREIN TO OTHERS IS PROHIBITED WITHOUT THE WRITTEN CONSENT OF STAINLESS MOTORS, INC.

© COPYRIGHT STAINLESS MOTORS, INC. ALL RIGHTS RESERVED. YEAR OF COPYRIGHT IS FIRST YEAR INDICATED ON THE DRAWING.

DO NOT SCALE DRAWING	MATERIAL: T304 EXTERIOR 17-4 H1150 SHAFT	<b>STAINLESS MOTORS INC.</b>
UNLESS OTHERWISE SPECIFIED	FINISH: #4 LINE	
DIMENSIONS ARE IN INCHES DIMENSIONS AND SURFACE TEXTURE DESIGNATIONS APPLY PRIOR TO FINISH	GENERAL TOLERANCES: .X = +/-0.015 .XX = +/-0.010 .XXX = +/-0.005	DRAWN: WJK
DEBURR AND BREAK ALL SHARP EDGES 0.005 - 0.015	FRACTIONAL = +/- 1/64 ANGULAR = +/- 1/2°	CHECK: JO
REFERENCE DRAWING: NUMBER: F:\Website\GEARBOXES\IL\IL880XXXTDXXX-210		DATE: 1/28/2019
		IL880 FRAME FOOT MOUNT TEFC, THRU FOOTED SANIFAN

NOTES: